

PRODUCT INFO

Model	Item No.
3000K CRI98	01420719
Accessory	
Dimmer Kit 0/1-10V	01265101
Pot. Dimmer 0/1-10V	01265110

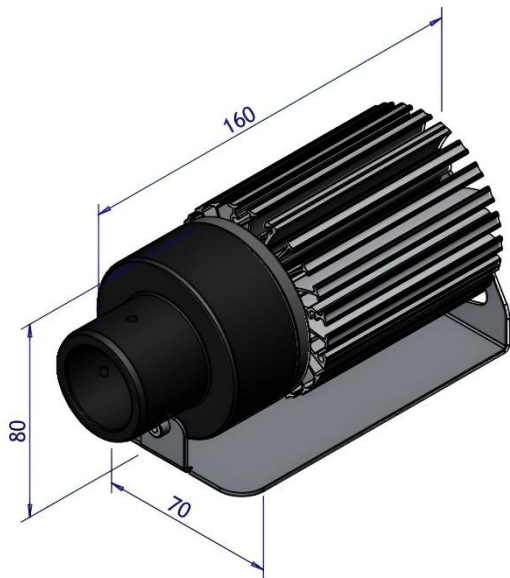


Premium Low-Power Light Generator with Ultra-High CRI for Indoor & Fiber Optic Applications

The FL 900 B-1 Series is a high-performance, low-power light generator engineered for indoor and dry-location environments. With its ultra-high Colour Rendering Index (CRI), it delivers exceptional light quality, making it ideal for museums, galleries, showcases, and other applications requiring precise colour accuracy.

Optimized for PMMA and glass fiber optic systems, the FL 900 B-1 ensures flicker-free operation, smooth dimming, and stable illumination. It supports a wide range of control interfaces, including 0/1-10 V, PWM, DMX, DALI/DALI-2, D4i, Casambi, Zigbee, and potentiometer, enabling seamless integration with modern lighting control systems.

Available in Warm White, with custom configurations possible to meet specific project requirements, the FL 900 B-1 operates silently with a fully passive cooling system. Its wall-mounted design, combined with energy-efficient performance, makes it an ideal solution for professional and architectural lighting installations where quality and reliability are paramount.



KEY FEATURES

- Designed for indoor environments and dry locations
- Compatible with PMMA and glass fiber optic lighting
- High-Performance and Low-Power Light Generator
- Smooth, flicker-free dimming with multiple control options
- Ultra-high Colour Rendering Index (CRI) for precise colour accuracy
- Wall-mounted installation
- External LED Driver
- Available in Warm White, with custom configurations available



TECHNICAL SPECIFICATION

Specification	White
Port Connector Size	Ø30 mm standard port (Up to Ø28 mm fibre core diameter) ⁽¹⁾
Fibre Type	PMMA / Glass
Material	Black Anodized Aluminium
Mains Supply Voltage	110-240V / 50-60Hz
Total Power Consumption	22 W
LED Power Consumption	20 W
LED Lifetime (L80)	> 66,000 hours
LED Driver Lifetime	≥ 50,000 hours
Control System	0/1-10V, PWM, PUSH (DALI/DALI-2, Casambi, DMX, Zigbee, D4i, and Pot. available upon request)
Thermal Protection	Automatic resettable ⁽²⁾
Protection Rating	IP20
Cooling System	Natural Convection
Ambient Temperature	-10°C to 40°C
Applied LED	Cree
CCT (Nominal)	3000K
CRI (Ra) Typical Value	98
Weight	0.8 kg

1) The connector size has an inner diameter up to 28 mm to accommodate the raw fibre and an overall outer diameter of 30 mm.

2) Shuts off during overheating and automatically restarts once cooled to a safe temperature.

CONTACT US

Phone: +45 9244 4888

Email: info@rob-light.com

OUR OFFICE

RobLight ApS

Gl. Skagensvej 105 M

DK-9900 Frederikshavn

STAY CONNECTED

Website: www.rob-light.com

LinkedIn: [RobLight ApS](https://www.linkedin.com/company/rob-light)

RobLight

RobLight disclaims any responsibility for potential errors in catalogues, brochures, and other printed materials. RobLight reserve the right to modify or discontinue our products without prior notice. © 2019 RobLight