



Ara technical data

LED

Full, current photometric data and product documentation available at www.roblon.com

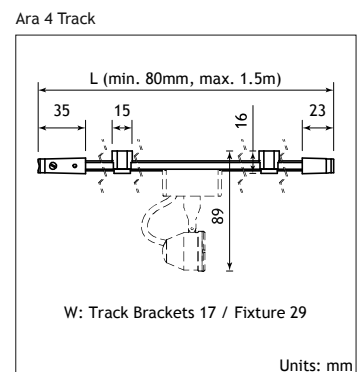
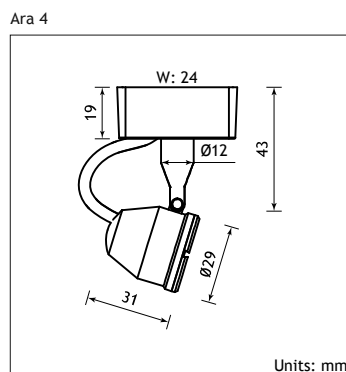
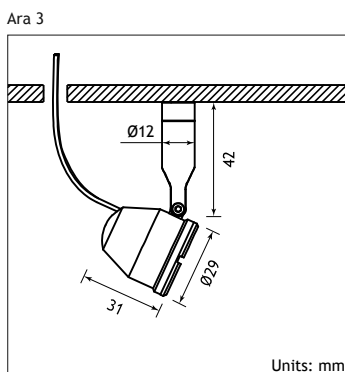
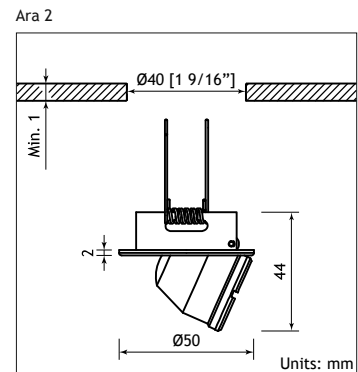
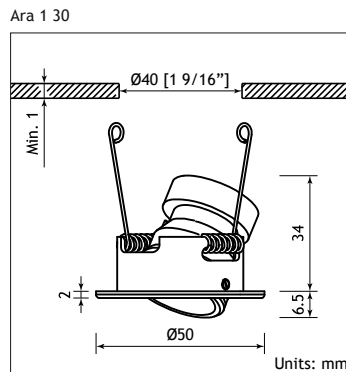
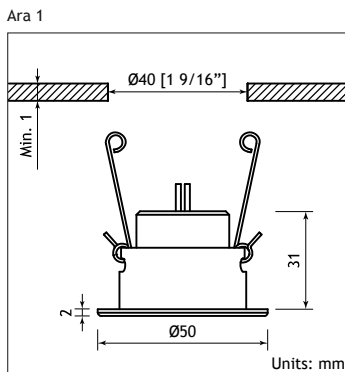
Ara is a unique family of small, high quality fixtures intended for shorter throw distance applications. Ara provides high light quality and diverse functionality in a fixture of exceptional design.

- Interchangeable Lenses from 10° - 48°
- Glare-free Lens Design
- Dimmable
- 5-year Warranty / 35,000+ Hour Lifetime
- Tool-free Adjustment
-  



Key Specifications

Attribute	Ara 1	Ara 1 30	Ara 2	Ara 3	Ara 4
CCT	3000	3000	3000	3000	3000 °K
CRI _s (Ra)	97	97	97	97	97 CRI
LED Luminous Flux	115	115	95	95	95 lm
LED Efficacy	50	50	57	57	57 lm/W
Fixture Efficacy	32 - 39	32 - 39	38 - 49	38 - 49	28 - 37
Location Rating	IP 20	IP 20	IP 20	IP 20	IP 20
Applied LED	Osram Oslon SSL	Osram Oslon SSL	Osram Oslon SSL	Osram Oslon SSL	Osram Oslon SSL
Fixture Power Consumption	2.4	2.4	1.7	1.7	1.7 W
Estimated L88 Lifetime	35,000	35,000	65,000	65,000	65,000 hours



Roblon accepts no responsibility for possible errors in catalogues, brochures or other printed and electronic material. Roblon reserves the right to alter or discontinue its products without notice. © 2013, Roblon A/S I 210815
 Roblon Lighting · Nordhavnsvej 1, 9900 Frederikshavn, Denmark · Tel: +45 9620 3300 · info@roblon.com · www.roblon.com



Mechanical Specifications

Attribute	Ara 1	Ara 1 30	Ara 2	Ara 3	Ara 4
Weight	90	80	60	60	60 g
Tilt	–	30	70	160	160 °
Rotation	no	360	360	360	350 °
Mounting	Recessed	Recessed	Recessed-to-raised	Surface/Magnetic	Track/Magnetic
Mounting hole	Ø40	Ø40	Ø40	–	– mm
Materials	Aluminum	Aluminum	Aluminum	Aluminum	Aluminum
Surface treatment	Anodize	Anodize	Anodize	Anodize	Anodize
Colour	Black	Black	Black	Black	Black
Operating environment	Indoor / Dry	Indoor / Dry	Indoor / Dry	Indoor / Dry	Indoor / Dry
Cable length ¹	2	2	2	2	2 ² m

¹ Custom length available upon request

² Cable attached to Track, not to Ara 4 Fixture

Electrical Specifications

Attribute	Ara 1	Ara 1 30	Ara 2	Ara 3	Ara 4
Electrical driver mode	Constant Current	Constant Current	Constant Current	Constant Current	Constant Voltage
Fixture input current	700	700	500	500	constant voltage mA
Fixture input voltage	constant current	constant current	constant current	constant current	11 - 25 V

General Specifications

Attribute	Value
Warranty	5 years
Operating temperature	-20 to +45 ° C
Temperature measuring point	Back of fitting at wire exit
UV-A, 320-380 nm	< 1 µW/lm
UV-B, 280-320 nm	< 1 µW/lm

Ordering Information

Step 1 Choose Fixtures

Type	Item no.
<input type="checkbox"/> Ara 1	1146 3110
<input type="checkbox"/> Ara 1 30	1140 3110
<input type="checkbox"/> Ara 2	1143 3210
<input type="checkbox"/> Ara 3	1147 3110
<input type="checkbox"/> Ara 4	1145 3110

Step 2 Choose Lenses

Type	Item no.
<input type="checkbox"/> Spot 10	1148 0100
<input type="checkbox"/> Narrow 20	1148 0300
<input type="checkbox"/> Medium 30	1148 0500
<input type="checkbox"/> Oval 48/8	1148 0400

Step 3 Choose Accessories

Type	Item no.
<input type="checkbox"/> Lens Tool	1148 0007
<input type="checkbox"/> Filter Clip	1148 0006
<input type="checkbox"/> Ara 4 Track*	1148 8000

*specify length between 80mm - 1.5m

Ara 1



Ara 1 30



Ara 2



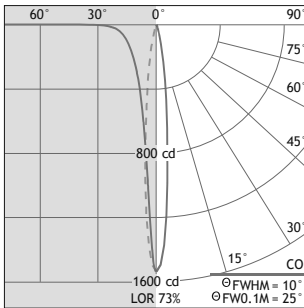
Ara 3



Ara 4



Photometrics & Optical Specifications

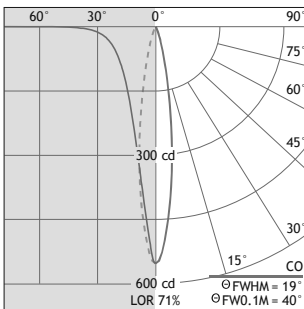


Ara 1, Ara 1 30
(For Ara 2, 3 & 4, multiply by 0.85)

Height (h)	DFWHM*	Illum. (E)
90 lm		
0.5 m	Ø0.09m	4268 lx
1 m	Ø0.18 m	1067 lx
1.5 m	Ø0.27 m	474 lx
h [m]	0.18 x h [m]	$\frac{1067}{h \times h}$ lx

Spot 10

Attribute	Ara 1, 1 30	Ara 2, 3, 4
Beam Angle	10	10 °
Luminous Flux	90	81 lm

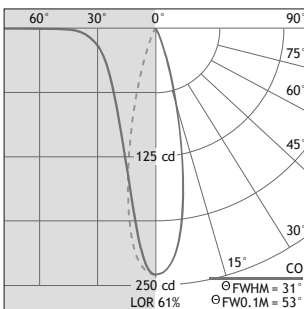


Ara 1, Ara 1 30
(For Ara 2, 3 & 4, multiply by 0.85)

Height (h)	DFWHM*	Illum. (E)
87 lm		
0.5 m	Ø0.17m	1500 lx
1 m	Ø0.34 m	375 lx
1.5 m	Ø0.51 m	167 lx
h [m]	0.34 x h [m]	$\frac{375}{h \times h}$ lx

Narrow 20

Attribute	Ara 1, 1 30	Ara 2, 3, 4
Beam Angle	19	19 °
Luminous Flux	87	74 lm

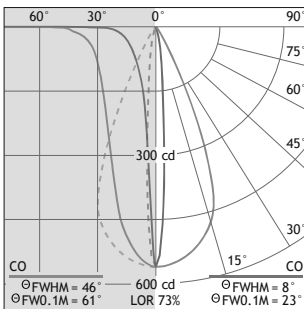


Ara 1, Ara 1 30
(For Ara 2, 3 & 4, multiply by 0.85)

Height (h)	DFWHM*	Illum. (E)
74 lm		
0.5 m	Ø0.28m	672 lx
1 m	Ø0.56 m	168 lx
1.5 m	Ø0.83 m	75 lx
h [m]	0.56 x h [m]	$\frac{168}{h \times h}$ lx

Medium 30

Attribute	Ara 1, 1 30	Ara 2, 3, 4
Beam Angle	31	31 °
Luminous Flux	74	63 lm



Ara 1, Ara 1 30
(For Ara 2, 3 & 4, multiply by 0.85)

Height (h)	DFWHM*	Illum. (E)
89 lm		
0.5 m	Ø0.07/0.42 m	672 lx
1 m	Ø0.14/0.84 m	390 lx
1.5 m	Ø0.21/1.26 m	75 lx
h [m]	0.14(0.84) x h [m]	$\frac{390}{h \times h}$ lx

Oval 48/8

Attribute	Ara 1, 1 30	Ara 2, 3, 4
Beam Angle	46 / 8	46 / 8 °
Luminous Flux	89	75 lm

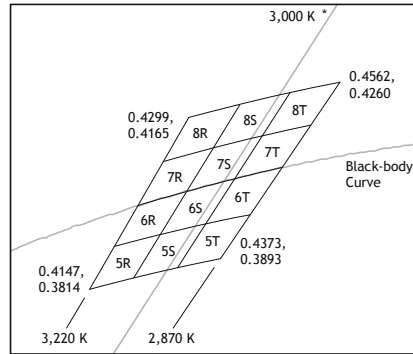
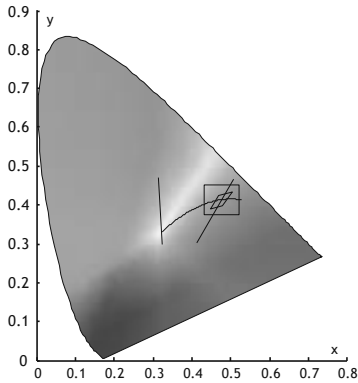
*Illustrated: average over DFWHM

For maximum values: multiply results by 1.43

Illuminance values account for distances (h) greater than 100 mm. The photometric performance was measured at thermal steady state in 22 °C ambient temperature driven at 700 mA. If the luminaire is dimmed, scale the results in accordance with dimming performance.

Roblon always recommend using a lens, to protect and improve the lifetime of the LED.

LED Binning and CCT Specifications

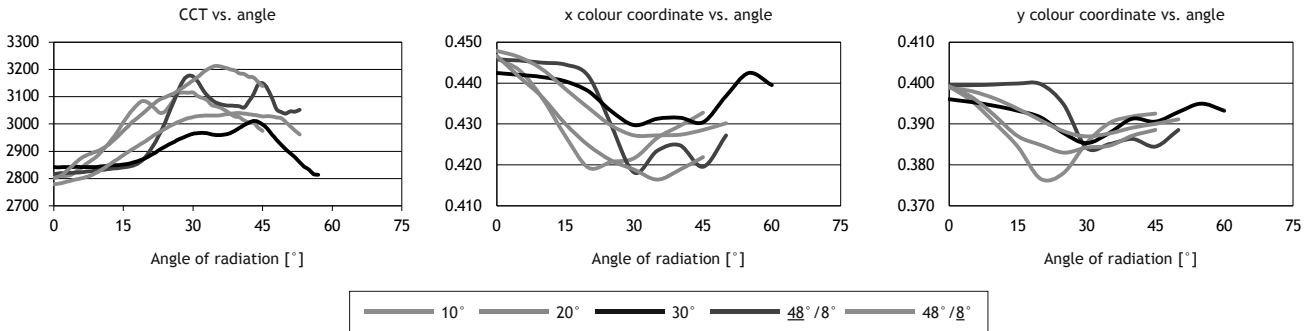


In accordance with ANSI C78.377
 *3,000 K standard. Other color temperatures available as custom.

Project Binning & Color Consistency

Roblon supplies each order / project from a single Bin (such as 7S). With each Bin falling approximately within the size of a 2.5-step MacAdam Ellipse (2.5 SDCM), this ensures consistent color from all Roblon Ara fixtures.

Fixture Chromaticity and CCT Uniformity Specifications



CRI Detailed Specifications

Marker	Description	Luminaire ¹	LED
CRI 01	Light greyish red	99	94
CRI 02	Dark greyish yellow	98	98
CRI 03	Strong yellow green	94	93
CRI 04	Moderate yellowish green	94	90
CRI 05	Light bluish green	97	94
CRI 06	Light blue	99	96
CRI 07	Light violet	96	96
CRI 08	Light reddish purple	95	96
CRI 09	Strong red	88	96
CRI 10	Strong yellow	94	98
CRI 11	Strong green	93	87
CRI 12	Strong blue	89	97
CRI 13	Light yellowish pink (skin)	100	95
CRI 14	Moderate olive green (leaf)	96	95
CRI ₈ (Ra)	Average level of CRI 01-08 ²	97	95
CRI ₁₄	Average level of CRI 01-14	95	95

All data based on Ara 2 at 500mA with 30° Lens

1) All types perform consistently 2) In accordance with CIE 13.3:1995

Ara 1, Ara 1 30 Driver Types

Model ¹	Dimming ²	No. of LEDs	Power Rating	Voltage	Item No.
QLT (or similar)	None	1	3 W	195-265 AC	1148 0001
TCI Jolly (or similar)	1-10 V ³	1 - 6	20 W @ 230 V 15 W @ 110 V	100-264 AC	1148 0002

¹ Other Models available upon request

² Other Dimming types (Phase Control, DMX) available upon request

³ 1-10v Potentiometer provided with Driver

Ara 2, Ara 3 Driver Types

Model ¹	Dimming ²	No. of LEDs	Power Rating	Voltage	Item No.
TCI Jolly (or similar)	1-10 V ³	8	20 W @ 230 V 15 W @ 110 V	100-264 AC	1148 0003
TCI MicroJolly (or similar)	1-10 V ³	3	6 W	198-264 AC	1148 0004

¹ Other Models available upon request

² Other Dimming types (Phase Control, DMX) available upon request

³ 1-10v Potentiometer provided with Driver

Ara 1, 1 30, 2, 3 Driver Wiring Guide

