

## Super Nova

---

---



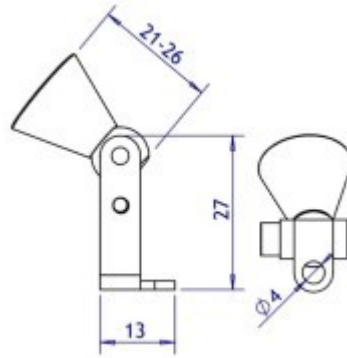
A skillful series of downlights with each a unique mounting system for accurate tilting. 360° adjustable. Tilts in many directions, some of them all around.

Newly developed mounting system lets you freely adjust and lock, without using tools. Choose wide or medium focusing beams with these uniquely small fittings. Ideal for illumination in niches and in showcases.

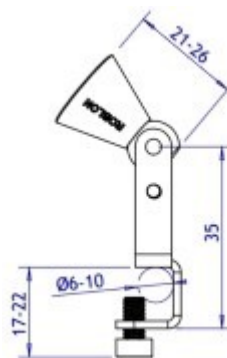
Super Nova: a whole new angle on showcase lighting.

## Super Nova

- For indoor use / dry location
- Black finish (others on req.)
- Fibre optical system



Super Nova Surface Focus



Super Nova Clamp Single Focus



Super Nova Magnet Focus

IP 20

7.5-21g

±90°

360°

## Super Nova



Material	Aluminium, plastic and other
Size	Ø17 x 47/61 mm
Colour	Black
Micro terminaton connection	PMMA Ø1.5 mm and Ø2.0 mm
Micro terminaton connection	Glass Ø2.0 mm
Rotation	360°
Tilt	Min ±90°
Cleaning	Dry cloth or air

Super Nova Surface Focus  
 Super Nova Clamp Single Focus  
 Super Nova Magnet Focus

Item no.  
 0301 2370  
 0301 2375  
 0301 2380