

XPO X-LED Vertical

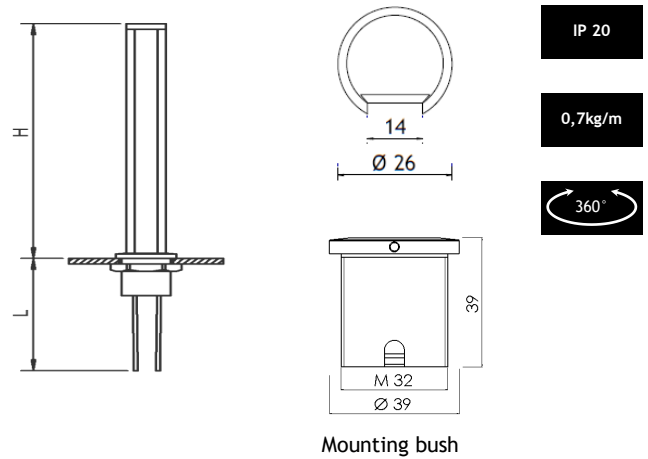


XPO X-LED Vertical constitutes a superior solution for indoor use. The range offers a compatible light for surfaces, showcases, displays and exhibitions.

It includes a warm white light and a high colour rendering. Dimmable versions are also available. The system comes with a black or a grey finish. Other coatings are obtainable on request.

XPO X-LED Vertical is set in a vertical position though it is possible to mount the lighting solution horizontally. Its measurements are made to fit your specific needs.

- For indoor use / dry locations
- Warm white light 3.000K
- External electronic driver
- Dimmable versions available
- Black or grey finish (others on req.)
- Surface treatment, anodised
- Hight customised design



 **CE** **RoHS**

Material	Aluminium, plastic and other
Size H	Ø26 x min. 180 mm - max 1860 mm
Colour	Black and grey
Rotation	±150°
Total power consumption	24V DC
Driver mode	Constant voltage
Driver lifetime, expected	>50.000h
Supply voltage (mains)	100-240V 50-60Hz
LED power consumption	7.5W/m
LED efficacy	100 lm/W
LED lifetime, expected	>50.000h @Ta=25° C
Fixture luminous flux	720 lm/m
Dimmer systems applicable	1-10V, PUSH (mains)
Cooling system	Natural convection
Ambient temperature	-20° to 45° C Max
Lumen maintenance	L70 B0 after 50.000h
Applied LED	Xicato
CCT (nominal)	3000K, other CCT on request
CRI-8 (Ra) typical value	Min. 98
Transmission through cover	53%, 80%, 93%
Cleaning	Dry cloth or air

	Item no.
XPO X-LED Vertical black	1207 0110
XPO X-LED Vertical grey	1207 0120