

XPO X-LED Horizontal

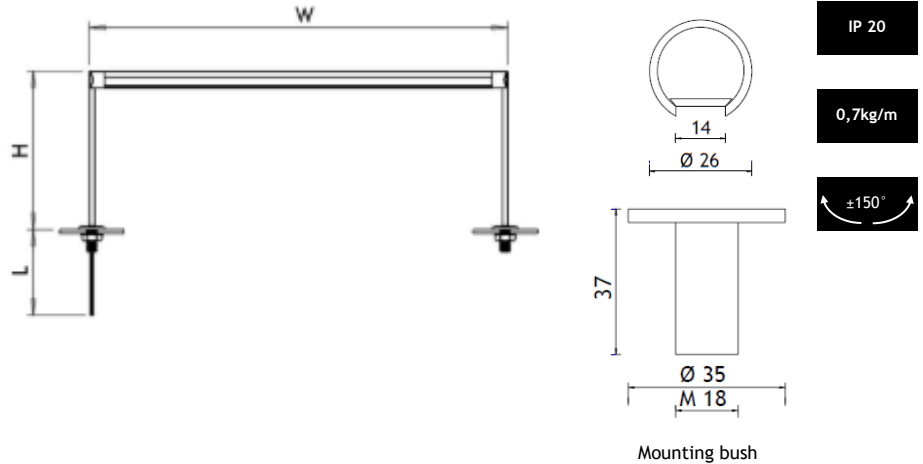


XPO X-LED Horizontal is the perfect choice for your interior environment if you are aiming for a sublime light in your showcases, niches, exhibition or display areas.

It includes a warm white light solution and it has high colour rendering. Dimmable options are also available. The finish is black or grey. Other finishes are obtainable on request.

XPO X-LED Horizontal stands on 8mm legs and can be mounted on vertical or horizontal surfaces. Its measurements are customised according to your specific needs.

- For indoor use / dry locations
- Warm white light 3.000K
- External electronic driver
- Dimmable versions available
- Black or grey finish (others on req.)
- Surface treatment, anodised
- Width and height customised design



Material	Aluminium, plastic and other
Size W	Ø26 x min. 180 mm - max 1860 mm
Side H	Ø8 x min. 40 mm - max 700 mm
Colour	Black or grey
Rotation	±150°
Total power consumption	24V DC
Driver mode	Constant voltage
Driver lifetime, expected	>50.000h
Supply voltage (mains)	100-240V 50-60Hz
LED power consumption	7.5W/m
LED efficacy	100 lm/W
LED lifetime, expected	>50.000h @Ta=25°C
Fixture luminous flux	720 lm/m nominal
Dimmer systems applicable	1-10V, PUSH (mains)
Cooling system	Natural convection
Ambient temperature	-20° to 45°C Max
Lumen maintenance	L70 B0 after 50.000h
Applied LED	Xicato
CCT (nominal)	3000K, other CCT on request
CRI-8 (Ra) typical value	Min. 98
Transmission through cover	53% - light distribution approx. 90°
Transmission through cover	80% - light distribution approx. 110°
Transmission through cover	93% - light distribution approx. 150°
Cleaning	Dry cloth or air

	Item no.
XPO X-LED Horizontal Ø8 legs black	1207 0310
XPO X-LED Horizontal Ø8 legs grey	1207 0320