

## FL 1050 B-2

---

---



Are you looking for a discrete lighting solution which will make your interior shine? FL 1050 generators highlight the most important elements in your indoor settings, giving it the undivided attention that it deserves.

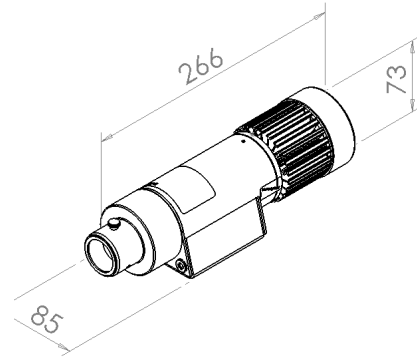
FL 1050 B-2 generators are powerful and precisely controlled with a patented glass lens arrangement. Not only is the FL 1050 Series incredibly efficient, it boasts superior colour rendering, several dimming options and dedicated museum models.

This series features warm white and neutral white light solutions plus it offers colour wheel and twinkle wheel solutions.

Make your displays, galleries or hallways stand out from the crowd with this highly functional and decorative lighting solution.

## FL 1050 B-2

- For indoor use / dry locations
- Outdoor models available
- Warm white light 3.000K or neutral white light 4.000K
- External electronic driver
- Dimmable
- Black painted finish
- Colour wheel kit available (user instabably)
- Twinkle wheel kit available (user instabably)
- Dichroic glass colour filters available
- Dichroic CTC filters available
- Light port: Ø28 mm
- FL 1050 B-2M include potmeter



IP 20

1.1 kg

## FL 1050 B-2



	FL 1050 B-2	FL 1050 B-2M
Light port	Ø28 mm	Ø28 mm
Fibre type	PMMA or glass	PMMA or glass
Material	Aluminium, plastic and other	Aluminium, plastic and other
Total power consumption	42W	42W
LED power consumption (typ)	38W	38W
LED lifetime, expected	50.000h	50.000h
Driver lifetime, expected	>50.000h (@Ta=3% failure level)	>50.000h (@Ta=3% failure level)
Supply voltage (mains)	220-240V 50/60Hz	220-240V 50/60Hz
Dimmer systems applicable	DALI, Pot, PWM and PUSH (mains)	DALI, Pot, PWM and PUSH (mains) Wireless and DMX on request
Thermal protection	Automatic resettable	Automatic resettable
Cooling system	Sunon	Sunon
Cooling system lifetime, expected (@40°C)	>85.000h (IPC 9591)	>85.000h (IPC 9591)
Noise level (fan)	10 dB	10 dB
Ambient temperature	-10°C to 45°C	-10°C to 45°C
Applied LED	Cree	Cree
CCT (nominal)	3000K / 4000K / 2 SDMC	3000K / 2 SDMC
CRI <sub>s</sub> (Ra) typical value	(min) 90+ / (min) 95+ AUS model	(min) 95+

	Item no.
FL 1050 B-2 3000K CRI 90+	0132 0018
FL 1050 B-2 3000K CRI 95+	0132 0019
FL 1050 B-2 3000K CRI 95+ AUS	0132 5019
FL 1050 B-2 4000K CRI 90+	0132 0028
FL 1050 B-2M 3000K CRI 95+	0132 1719