

FL 1100 EU



Imagine having an indoor lighting solution which illuminates your interior to perfection. The FL 1100 EU attracts attention to your showcases, niches, displays without giving away the secret.

It is a highly discrete and low noise light generator which can replace all halogen light generators as well as some metal halide.

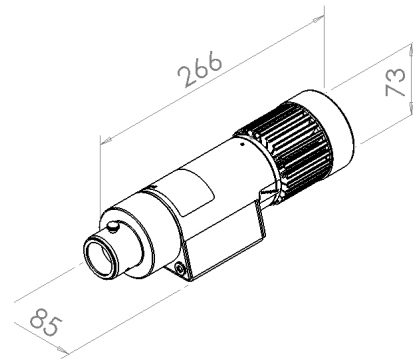
The range features warm white and neutral white light solutions plus it offers colour wheel and twinkle wheel options.

The series has an unlimited amount of possibilities, meaning that it holds many functional and decorative lighting solutions including several dimming optics.

Bring your indoor settings to life with FL 1100 EU Series.

FL 1100 B-2 EU

- For indoor use / dry locations
- Outdoor generators available
- For use with fibre optic lighting
- LED expected lifetime 35.000 hours
- Warm white light 3.000K or neutral white light 4.000K
- External electronic driver
- Dimmable
- Black finish
- Colour wheel kit available (user installable)
- Twinkle wheel kit available (user installable)
- Colour filters available (user installable)
- CTC filters available (user installable)
- Light port $\varnothing 9/\varnothing 28$ mm



IP 20

1.1 kg

FL 1100 B-2 EU



Light port	$\varnothing 9/\varnothing 28$ mm
Fibre type	PMMA or glass
Material	Aluminium, plastic and other
Total power consumption	42W
LED power consumption	37W
LED lifetime expected	35.000h
Driver lifetime, expected	>50.000h (@Ta=3% failure level)
Supply voltage (mains)	100-240V 50/60Hz
Dimmer systems applicable	Pot, DALI, PWM and PUSH (mains)
Thermal protection	Automatic resettable
Cooling system	Sunon
Noise level (fan)	10 dB
Cooling system lifetime, expected (@40°C)	>40.000h (@60°C L90)
Ambient temperature	-10°C to 45°C
Applied LED	Nichia
CCT (nominal) 3SDMC	3000K / 4000K
CRI _s (Ra) typical value	93 (min. 90) / 98 (min. 95)

Item no.

FL 1100 B-2 3000K CRI 90+	0137 0058
FL 1100 B-2 4000K CRI 90+	0137 0068