

FL 1500 XT



FL 1500 XT is the ideal choice if you are looking to create a stunning lit outdoor environment.

The series constitutes the first real LED replacement for metal halide light generators, replacing the 150W MH. The projectors endure a drastically longer lamp life, meaning no regular lamp changes and 33% less power consumption.

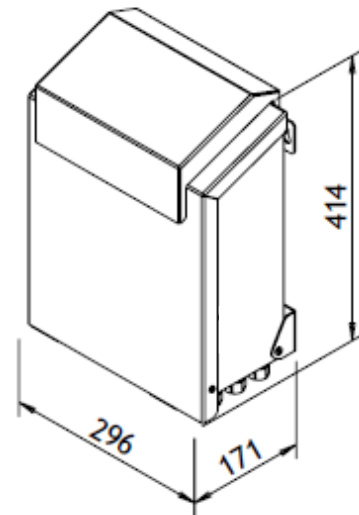
With its 6-colour wheel, twinkle wheel and several dimmable options, our FL 1500 XT Series can transform your exterior settings and facilitate different scenarios.

The generators hold instant-on and require no cool down time. The dimming, colour and twinkle wheels are controlled by various control systems, DMX etc. The range includes warm white and neutral white light solutions.

Reshape the look of your gardens, public areas or swimming pools with the FL 1500 XT lighting solution.

FL 1500 XT

- Instant-on
- No cool-down time
- For outdoor use / wet locations
- Warm white light 3000K and neutral white light 4000K
- Smooth dimming with choice of several dimming options
- DMX dual models include colour and twinkle wheels
- DMX models with colour wheel available
- DMX models with twinkle wheel available
- Black painted finish
- High colour rendering
- Dichroic glass colour filters available
- Dichroic CTC filters available
- Wall mounted
- No more regular temp changes



IP 45

8.6 kg

FL 1500 XT



Light port	Ø28 mm
Fibre type	PMMA or glass
Material	Aluminium, plastic and other
Total power consumption	130W (115W white light)
LED power consumption	100W
LED lifetime, expected	35.000h
Driver lifetime, expected	>100.000h (@TC=65 °C)
Supply voltage (mains)	100-240V 50/60Hz
Dimmer systems applicable	Pot, DMX (depended on model)
Thermal protection	Integrated auto
Cooling system	Axial fan x 2
Cooling system lifetime, expected (@40 °C)	>40.000h
Noise level (fan)	30dB
Ambient temperature	-10 °C to 45 °C
Applied LED	Nichia
CCT (nominal)	3000K / 4000K (5000K on req.)
CRI _s (Ra) typical value	92 (min. 90)

	Item no.
FL 1500 XT B-2 3000K CRI 90+	0131 0058
FL 1500 XT B-2 4000K CRI 90+	0131 0068
FL 1500 XT B-2 3000K CRI 90+ Dali	0131 0658
FL 1500 XT B-2 4000K CRI 90+ Dali	0131 0668
FL 1500 XT F Colour 3000K CRI 90+	0131 0158
FL 1500 XT F Colour 4000K CRI 90+	0131 0168
FL 1500 XT F Twinkle 3000K CRI 90+	0131 0258
FL 1500 XT F Twinkle 4000K CRI 90+	0131 0268
FL 1500 XT C DMX DIM 3000K CRI 90+	0131 0858
FL 1500 XT C DMX DIM 4000K CRI 90+	0131 0868
FL 1500 XT C DMX Dual 3000K CRI 90+	0131 0458
FL 1500 XT C DMX Dual 4000K CRI 90+	0131 0468
FL 1500 XT C DMX Colour 3000K CRI 90+	0131 0358
FL 1500 XT C DMX Colour 4000K CRI 90+	0131 0368
FL 1500 XT C DMX Twinkle 3000K CRI 90+	0131 1358
FL 1500 XT C DMX Twinkle 4000K CRI 90+	0131 1368

RobLight

RobLight A/S, Gl. Skagensvej 105 H, DK-9900 Frederikshavn, Denmark T: +45 9244 4888, E: info@rob-light.com, www.rob-light.com

RobLight accepts no responsibility for possible errors in catalogues, brochures and other printed material.

RobLight reserves the right to alter or discontinue its products without notice. © 2019 RobLight A/S