

RobLight



Framing spot, LED

User manual

Item nr.

11613110 Framing spot, black

11613120 Framing spot, grey

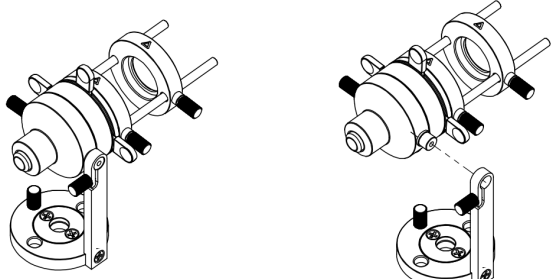
11619110 Framing spot custom, black

11619120 Framing spot custom, grey

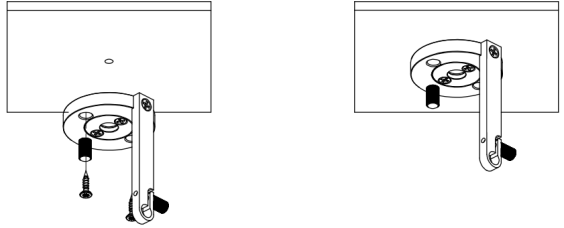
RobLight

Mounting

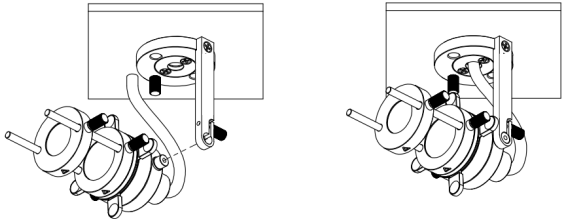
Loosen the tilt screw and re-
move the optical head from the
base.



Drill a hole for the wire
(typically Ø8) Mount the base
using the supplied screws



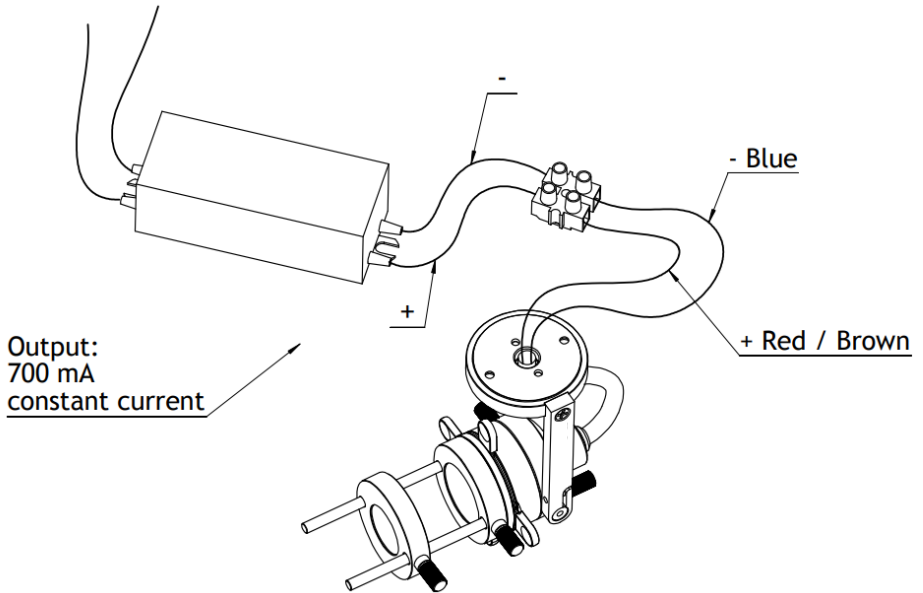
Mount the optical head to the
base again and rotate into posi-
tion.



RobLight

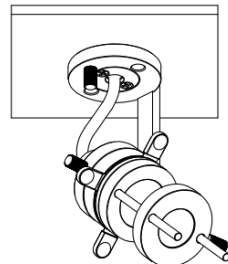
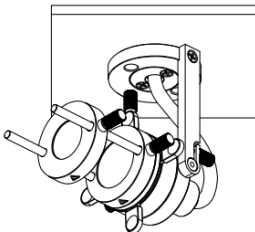
Connect the driver

Connect to mains.



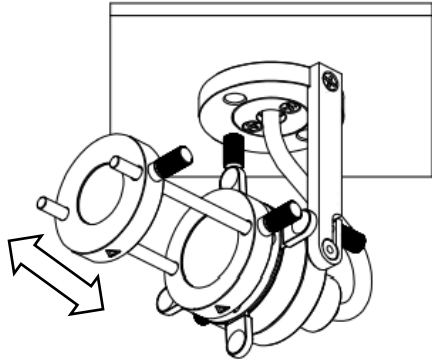
Adjusting the fitting

- 1: Loosen the finger screw on the base to pan the fitting to the desired position. Tighten the finger screw again.
- 2: Tilting the fitting is possible by loosening the finger screw on the base arm. Tighten when tilted to the wanted position.

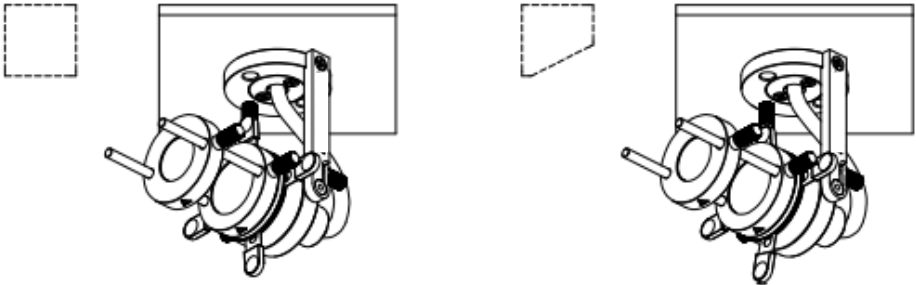


RobLight

3: Focus the fitting by sliding the front lens. If a sharp edge is not wanted, slightly blurred edges can be made by defocusing.



4: Adjust the framing blades by sliding and twisting. Please note that the "Image" reacts opposite to your operation.



RobLight

RobLight A/S, Gl. Skagensvej 105 H, DK-9900 Frederikshavn
T: +45 9244 4888, E: info@rob-light.com
www.rob-light.com

RobLight accepts no responsibility for possible errors in catalogues, brochures and other printed material.
RobLight reserves the right to alter or discontinue its products without notice. © 2019 RobLight A/S