

RobLight



Beespot LED

User manual

RobLight

Introduction

Beespot for indoor, outdoor or submerged use. Fully adjustable in all directions. For accent lighting, decorative effects and wall-washing. For facades, for surfaces large and small, for objects large and small. Fibre optic series also available.

Product overview/unboxing

1 Beespot LED
1 Use manual
1 Allen key

Installation instructions

Follow the installation instructions to ensure

- Safe operation
- Full functionality
- Stated expected lifetime
- Uninterrupted illumination

RobLight

Warning

This device has a built in high power phosphor converted blue led. The light source is grouped in Risk Group 2.

Risk group 2



CAUTION.
Possibly hazardous optical radiation emitted from this product. Do not stare at operating lamp. May be harmful to the eye.

Do not look into the light port when lit.

Beware of placing highly light absorbing material directly in front (Distance 0-1cm) of the port or a fibre. The extremely high intensity will increase the temperature in the material.

Using non RobLight harnesses in this light generator is at its own risk.

Ensure that the polyconnector is undamaged and clean before using the light generator in retrofit RobLight installations.

Beware that when the or a light generator is operated at max ambient temperature the surface temperature can exceed 75°C.

The light generator is only tested with RobLight standard polyconnector end.

Warranty label

The warranty label is not to be broken under ANY circumstances. If broken the warranty is terminated.

RobLight

Technical data

General

Size	Ø35 x 88 x 63 mm
Material	AISI 303/316, plastic and other
Colour	Stainless steel grey
Weight (total)	200 g
Safety	CE, RoHS

Environmental

Protection rating	IP 20 (XT model IP 68 down to 1m)
Thermal protection	No
Cooling	Passive
Ambient temperature	-20° to 45° C

Driver/electrical

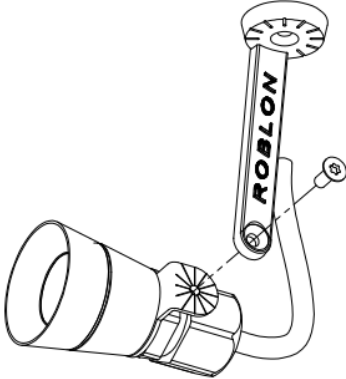
Driver	External electronic constant current
Supply voltage (mains)	120-240V 50/60Hz
Driver output	700mA
Total power consumption	2.5 W (dep. on selected driver solution)
Dimming systems applicable	PUSH, 1-10V (dep. on selected driver solution)

Light source

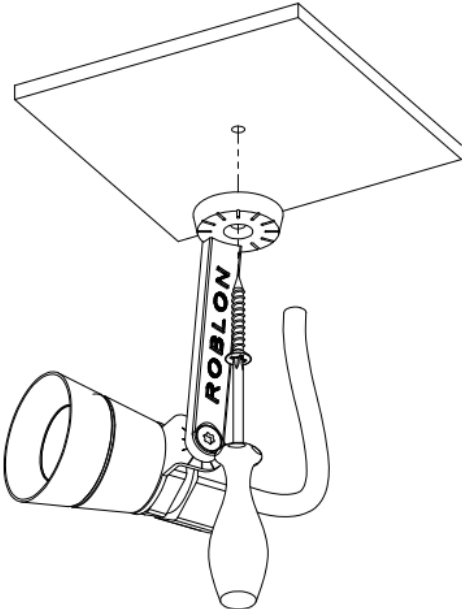
Applied LED	Osram / Nichia
LED expected lifetime	25.000 hours
Typical CCT	3000K / 4500K
Typical Ra (CRI ₁₋₈)	Min. 90 or 95
Optics	TIR optics
Beam angel	25° / 35° / 55° and 25/45°

RobLight

Assembly



Mounting

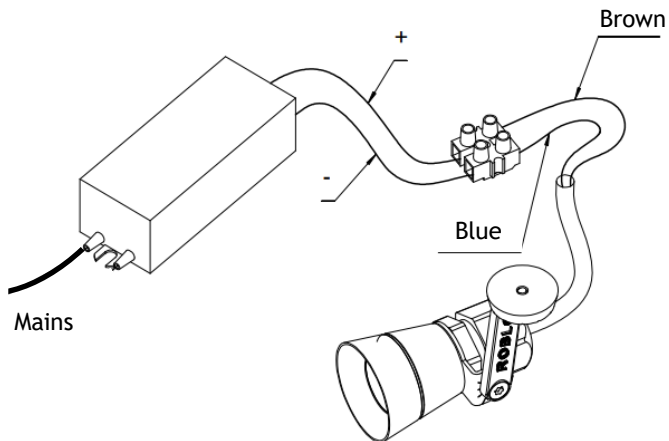


RobLight

Connect driver with wires

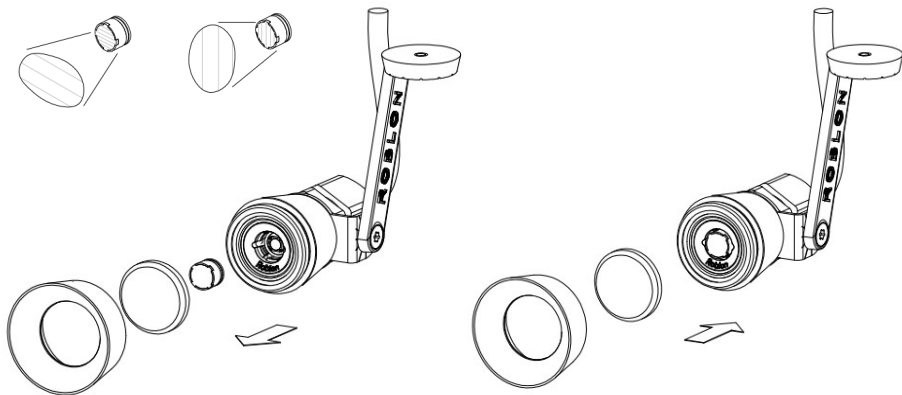
Driver connection is indicative.
Please follow national rules for connecting Class II luminaire.

Driver output 700mA constant current



Replace of lens

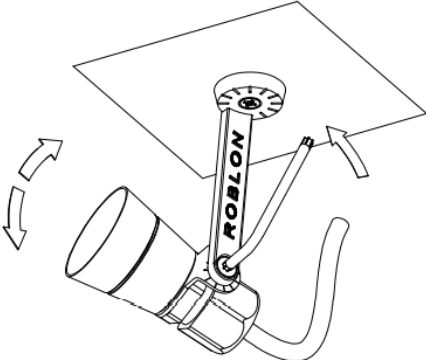
With the asymmetric lens must be positioned correct in fitting.



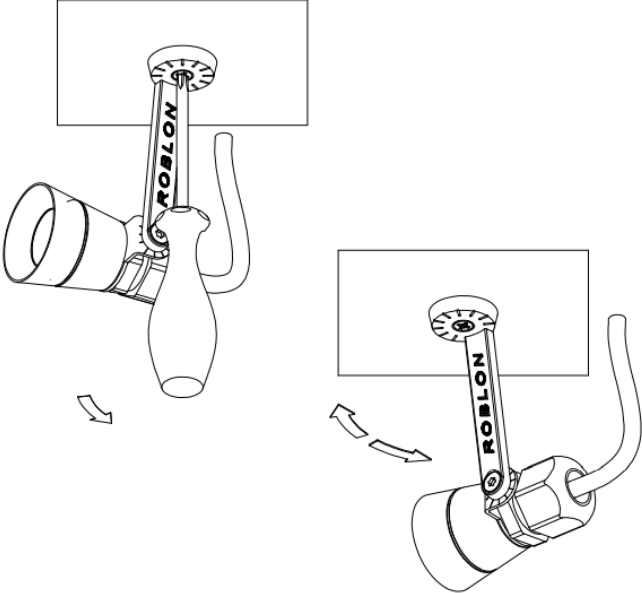
RobLight

Adjustment





Tilt



Rotate



Accessories / Spare part

	Part name	Description	Item no.
	Lens 25°		1179 0250
	Lens 35°		1179 0350
	Lens 55°		1179 0550
	Lens 25/54°		1179 0450
	Bee spot arm	L = 500 mm	0313 0010

RobLight

RobLight A/S, Gl. Skagensvej 105 H, DK-9900 Frederikshavn
T: +45 9244 4888, E: info@rob-light.com
www.rob-light.com