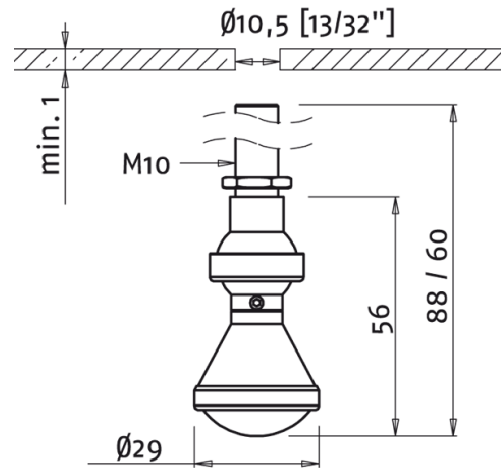


Ball & Socket Focus



Elegantly designed adjustable and discrete ball-and-socket joint fitting. The fitting is equipped with a lens for adjustment of the lighting angle. This fitting is ideal for illumination of objects in display cases and show windows or where the requirement is for flexible light that is easily adjustable to varying displays. The fitting is available in several finishes.



IP 44

25 g

Ball & Socket Medium

Optics	Ø26 mm lens
Beam angle	5° - 14°
Material	Aluminium
Colour	Grey
Surface treatment	Anodised
Tilt	27°
Rotate	360°
Size	Ø30 x 65 mm
Weight	25 g
Mounting	Surface-mounted
Mounting hole	Ø10 mm
Built-in height	32 mm
Min. tail size	Ø1 mm
Max. tail size	Ø4.5 mm
Protection rating	IP 44

	Item no.
Ball & Socket Focus grey	0302 6201
Ball & Socket Focus black	0302 6203
Accessories:	
Fitting Termination	9903 0001