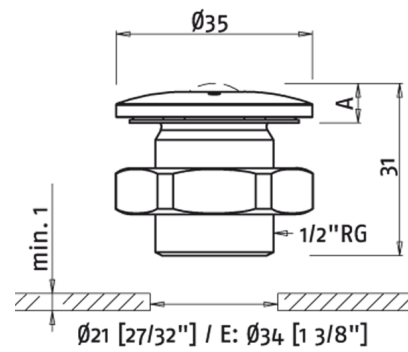


Aquarius 35



Aquarius 35 is an extraordinarily elegant fitting specially developed for swimming pools and spas. Aquarius 35 is equipped with a lens for adjustment of the lighting angle. Aquarius 35 is ideal for plate mounting or embedding. The fitting adds exclusivity to any wet-room solution from fountains and display aquariums to swimming pools and spas.



IP 68

100 g

Aquarius 35

Optics	Ø12 mm lens
Beam angle	Ø3: 17-35° / Ø4.5: 22-35° / Ø6: 36°
Material	Stainless steel EN W.nr. 1.4435
Colour	Grey
Surface treatment	Pickled
Rotate	360°
Size	Ø35 x 7 mm
Mounting	Surface mounted with nut
Mounting hole	Ø21 mm
Built-in height	25 mm
Min. tail size	Ø2 mm
Max. tail size	Ø6 mm
Protection rating	IP 68 down to 10 m

	Item no.
Aquarius 35 Medium	0313 0750
Aquarius 35 Wide	0313 0755
Aquarius 35 Fixed halfmoon	0313 0754
Accessories :	
Aquarius 35 Mounting Wrench	0313 0758
Aquarius 35 Embedment Kit	0313 0759