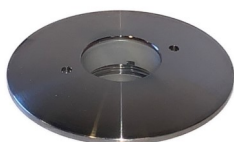
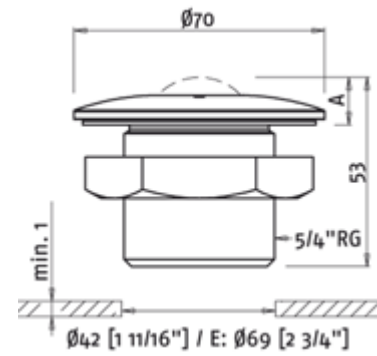


Aquarius 70



Aquarius 70 is an extraordinarily elegant fitting specially developed for swimming pools and spas. Aquarius 70 is equipped with a lens for adjustment of the lighting angle. Aquarius is ideal for plate mounting or embedding. The fitting adds exclusivity to any wet-room solution from fountains and display aquariums to swimming pools and spas.



IP 68

510 g

Aquarius 70

Optics	Ø26 mm lens
Beam angle	Ø6: 14-33° / Ø8: 17-35° / Ø10: 19-37°
Material	Stainless steel EN W.nr. 1.4435
Colour	Grey
Surface treatment	Pickled
Rotate	360°
Size	Ø70 x 13 mm
Mounting	Surface mounted with nut
Mounting hole	Ø42 mm
Built-in height	42 mm
Min. tail size	Ø3 mm
Max. tail size	Ø10 mm
Protection rating	IP 68 down to 10 m

	Item no.
Aquarius 70 Focus	0313 0760
Aquarius 70 Wide	0313 0765
Accessories :	
Aquarius 70 Mounting Wrench	0313 0768
Aquarius 70 Embedment Kit	0313 0769