

RobLight



FL 1100 US

User manual

RobLight

Introduction

The RobLight FL 1100 B-1 light generator is designed for indoor use in dry locations with glass and PMMA fibre harness Ø28 mm. It can be used in all installations set-ups, including closed compartments if limits for max ambient temperature are followed.

Product overview/unboxing

1 FL 1100 US
1 User manual

Applies to :

0137 4018	FL 1100 B-1 Cree 3000K CRI 90+ US
0137 4019	FL 1100 B-1 Cree 3000K CRI 95+ US
0137 4028	FL 1100 B-1 Cree 4000K CRI 90+ US
0137 4058	FL 1100 B-1 Nichia 3000K CRI 90+ US
0137 3018	FL 1100 B-2 Cree 3000K CRI 90+ US
0137 3019	FL 1100 B-2 Cree 3000K CRI 95+ US
0137 3028	FL 1100 B-2 Cree 4000K CRI 90+ US
0137 3058	FL 1100 B-2 Nichia 3000K CRI 90+ US

Installation instructions

Follow the installation instructions to ensure

- Safe operation
- Full functionality
- Stated expected lifetime
- Uninterrupted illumination

RobLight

Warning

This device has a built in high power phosphor converted blue led. The light source is grouped in Risk Group 2.

Risk group 2



CAUTION.
Possibly hazardous optical radiation emitted from this product. Do not stare at operating lamp. May be harmful to the eye.

Do not look into the light port when lit.

Beware of placing highly light absorbing material directly in front (Distance 0-1cm) of the port or a fibre. The extremely high intensity will increase the temperature in the material.

Using non RobLight harnesses in this light generator is at its own risk.

Ensure that the polyconnector is undamaged and clean before using the light generator in retrofit RobLight installations.

Beware that when the or a light generator is operated at max ambient temperature the surface temperature can exceed 75°C.

The light generator is only tested with RobLight standard polyconnector end.

Warranty label

The warranty label is not to be broken under ANY circumstances. If broken the warranty is terminated.

RobLight

Technical data

General

B-1

B-2

Light port	Ø9/Ø28 mm	
Fibre type	PMMA or glass	
Material	Aluminium, POM and other	
Dimensions (L x H x W)	268 x 72 x 86mm	248 x 73 x 86mm
Weight (total)	1120g	
Safety	CE, RoHS, WEEE	

Environmental

Protection rating	IP 20	
Thermal protection	Integrated auto	
Cooling	Sunon cooling solution [10 dB(A)]	
Ambient temperature	-10° to 45°C	

Driver/electrical

Driver	LED driver constant current	
Supply voltage (mains)	100-240V 50/60Hz	
Driver expected lifetime	50.000 hours (@TC = 65°C)	
Total power consumption	22W	42W
Dimmer systems applicable	DALI 1-10V, PWM and PUSH (mains) Bluetooth on request	

Light source

Applied LED	Cree	
LED expected lifetime	>35.000 hours @Ta = 25°C	
Typical CCT	3000K or 4000K, 3SDMC	
Typical Ra (CRI ₁₋₈)	93 (min. 90) - 98 (min. 95) depending on model	

RobLight

Installation instructions

- a) Remove cap from the light port
- b) Insert the common end, fully in the light port
- c) Tighten the screw on the light port
- d) Ensure all installation and ventilation requirements are met (see page 5 & 6)
- e) Connect the supply cord to the mains.



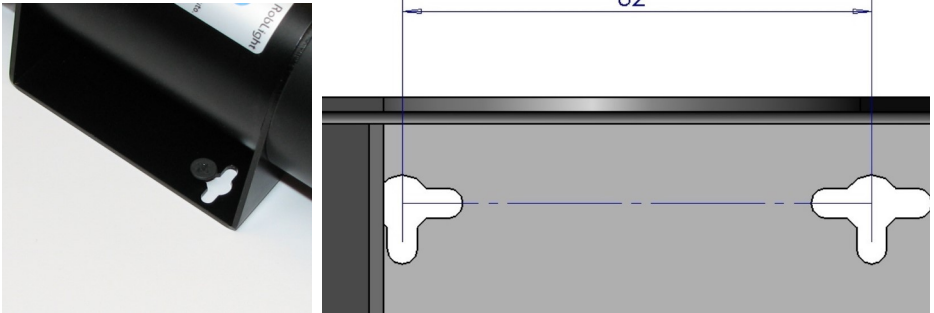
WARNING!
Remove cap before
turning on.



RobLight

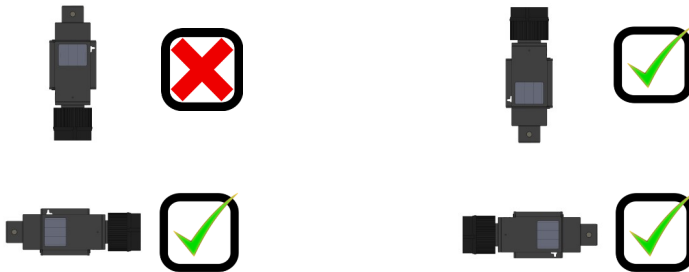
Surface mounting

Attach to surface using two screws (not supplied) in the baseplate holes



Vertical mounting

This light generator should not be mounted with light port up. At high ambient temperature the operational lifetime of the internal components will be reduced.



Closed compartments

MAX AMBIENT TEMPERATURE 45°C.

Recommendations: (should always be tested in a mock up)

Secure enough space to allow natural heat transmission through surfaces.

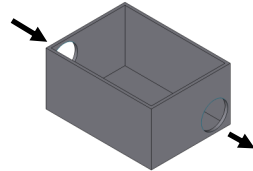
Surfaces should not be insulated.

Cooling air for the polyconnector can not be obstructed in any way, as it is essential to avoid damage to the harness.

General minimum distance from the light generator to any enclosing surface 10 cm (excluded mounting surface).

Ventilation holes per light generator with min. 20 cm² air inlet and min. 20 cm² air outlet.

Beware of inlet and outlet ventilation holes opposite each other as shown on the drawing. Keep free from dust and polluted air.



Installing adjacent light generators

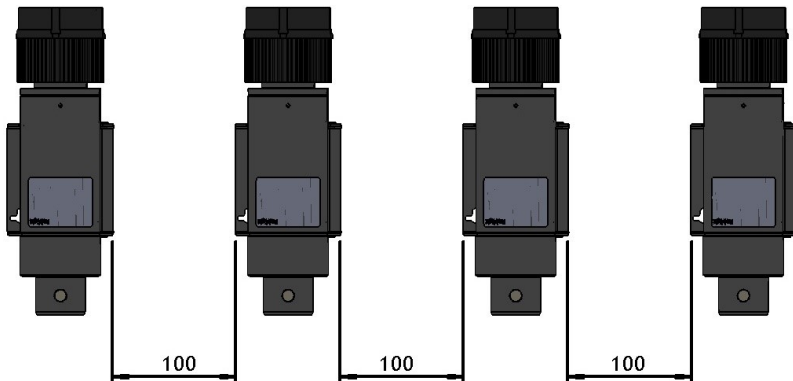
Recommendation:

Minimum 10 cm distance between adjacent light generators to ensure enough free cooling air.

If multiple rows, use offset to avoid vertical rows. Minimal free distance between rows 15 cm.

Max temperature has to be observed for all light generators measured at air inlet for each light generator.

MAX AMBIENT TEMPERATURE 45°C.

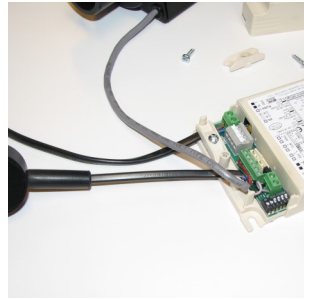
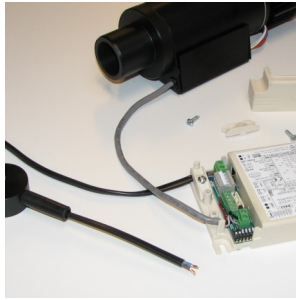


RobLight

Installing accessories

The 1-10V dimmer potentiometer can be installed following this procedure.

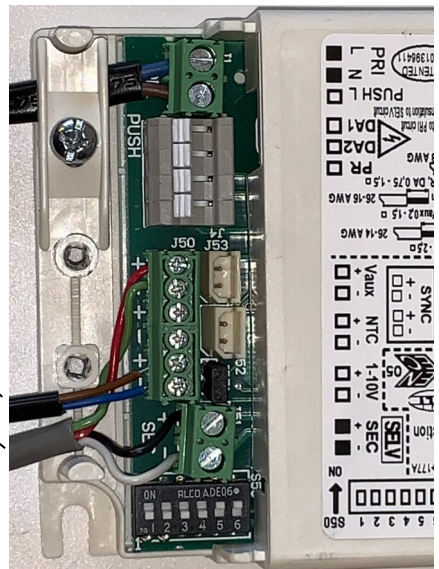
Remove lid and wire fasternes from the driver
Place dimmer in 1-10V, brown wire in +
Place fasternes and lid again



Network line

Wire from Dimmer 1-10V
Potentiometer

Wire from Light Generator



RobLight

Accessories / Spare part

	Part name	Description	Item no.
	CCT Filter A -500K	Will make the lighth warmer. Will not fade. No tools needed	0126 1000
	CCT Filter A -900K	Will make the light warmer. Will not fade. No tools needed	0126 1002
	CCT Filter A -1200K	Will make the light warmer. Will not fade. No tools needed	0126 1001
	Colour Filter, FL1000, yellow	Yellow colour filter. Glass. Will not fade. No tools needed	0126 1004
	Colour Filter, FL1000, green	Green colour filter. Glass. Will not fade. No tools needed	0126 1005
	Colour Filter, FL1000, blue	Blue colour filter. Glass. Will not fade. No tools needed	0126 1006
	Colour Filter, FL1000, red	Red colour filter. Glass. Will not fade. No tools needed.	0126 1007
	Colour Wheel kit	User attachable kit for make your fibres light in sparkling colours.	0126 6105
	Twinkling Wheel kit	User attachable kit to make your fibres twinkle.	0126 6205
	Dimmer 1-10V (potentiometer)	Attach it to the driver and the product can be dimmed	0126 5110
	Adapter Ø28/Ø9	If you want to change the light port from Ø28 to Ø9 mm.	7800 0130

Maintenance, spare parts and repairs

The effectiveness of the active cooling device is greatly diminished if the cooling fins and the air intake is blocked or polluted with dust. This will reduce the expected lifetime of the product.

The dust must be removed on a regular basis. Interval depending on the environment.

A fine brush, vacuum cleaning or light compressed air can be used for the cleaning.

This light source is not supposed to be otherwise serviced, if used as recommended.

The fan can be replaced using standard tools. A replacement kit with guide is available.

If the product is not performing as specified, use the troubleshooting guide. If you need further assistance, please contact RobLight.

RobLight

Application notes

The light generator is an electronic device and must be handled accordingly. The different components will have different factors influencing the practical lifetime. The most important factor for this system is the condition of the surrounding air (temperature and cleanliness). The data we have stated about or and the expected lifetime of the key components, are at the temperatures that the suppliers have performed during their standardized tests in clean environments.

The light generator is designed to run at max ambient temperature, but the longest usable operation is achieved with lower temperatures.

Although there is thermal protection built into this device, it is only a safety device and should not be used as a measurement device to test if the light generator is running at a tolerable surrounding temperature.

The polyconnector is the most stressed part of this system. Care should be taken to ensure that the fibre ends are 100% clean and free from dust and grease (fingerprint will do damage.). See www.rob-light.com for recommendations to clean fibre ends.

Running the light generator at too high temperatures will not only risk damage to the light source but also to the fibre harness.

KEEP COOL

CLEAN AIR

Troubleshooting

Problem	Trace the problem	Solution
No light	Check the power	Connect the power cord properly Turn on the device
	Check the temperature	Check if it is installed according to the instructions
	Check the dimming	Unplug the light generator. Unplug the dimmer system from the driver. Turn on the power
Light switches on and off	Check the operating conditions of the light generator	Check if it is installed according to the instructions
	Check the active cooling system	Remove dirt and dust from the light generator

If problems are not solved using this guide, please contact RobLight A/S.