

## FL 1100 US

---

---



Imagine having an indoor lighting solution which illuminates your interior to perfection. The FL 1100 US Series attracts attention to your showcases, niches, displays without giving away the secret.

Our FL 1100 US projectors are specifically designed for the US market and are UL approved. It is a highly discrete and low noise light generator which can replace all halogen light generators.

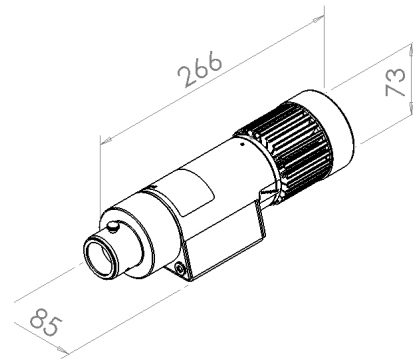
The range features warm white and neutral white light solutions plus it offers colour wheel and twinkle wheel options.

The series has an unlimited amount of possibilities, meaning that it holds many functional and decorative lighting solutions including several dimming optics.

Bring your indoor settings to life with FL 1100 US Series.

## FL 1100 US

- For indoor use / dry locations
- Outdoor generators available
- For use with fibre optic lighting
- LED expected lifetime 35.000 hours
- Warm white light 3.000K or neutral white light 4.000K
- External electronic driver
- Dimmable
- Black finish
- Colour wheel kit available (user instably)
- Twinkle wheel kit available (user instably)
- Dichroic glass colour filters available
- Dichroic CTC filters available
- Light port  $\varnothing 9\text{mm}/\varnothing 28\text{ mm}$



IP 20

1.1 kg

## FL 1100 US



	FL 1100 B-1 Lite	FL 1100 B-2
Light port	$\varnothing 9\text{ mm}/\varnothing 28\text{ mm}$	$\varnothing 9\text{ mm}/\varnothing 28\text{ mm}$
Fibre type	PMMA or glass	PMMA or glass
Material	Aluminium, plastic and other	Aluminium, plastic and other
Total power consumption	22W	45W
LED power consumption	19W	42W
LED lifetime expected	35.000h	35.000h
Driver lifetime, expected	>50.000h (@Ta=3% failure level)	>50.000h (@Ta=3% failure level)
Supply voltage (mains)	100-240V 50/60Hz	100-240V 50/60Hz
Dimmer systems applicable	Pot, DALI, PWM and PUSH (mains)	Pot, DALI, PWM and PUSH (mains)
Thermal protection	Automatic resettable	Automatic resettable
Cooling system	Sunon	Sunon
Noise level (fan)	10 dB	10 dB
Cooling system lifetime, expected (@40°C)	>40.000h (@60°C L90)	>40.000h (@60°C L90)
Ambient temperature	-10°C to 45°C	-10°C to 45°C
Applied LED	Nichia	Cree/Nichia
CCT (nominal) 3SDMC	3000K / 4000K	3000K / 4000K
CRI <sub>s</sub> (Ra) typical value	93 (min. 90) / 98 (min. 95)	93 (min. 90) / 98 (min. 95)

	Item no.
FL 1100 B-1 Lite Cree 3000K CRI 90+ US	0137 4018
FL 1100 B-1 Lite Cree 3000K CRI 95+ US	0137 4019
FL 1100 B-1 Lite Cree 4000K CRI 90+ US	0137 4028
FL 1100 B-1 Lite Nichia 3000K CRI 90+ US	0137 4058
FL 1100 B-1 Lite Nichia 4000K CRI 90+ US	0137 4068
FL 1100 B-2 Cree 3000K CRI 90+ US	0137 3018
FL 1100 B-2 Cree 3000K CRI 95+ US	0137 3019
FL 1100 B-2 Cree 4000K CRI 90+ US	0137 3028
FL 1100 B-2 Nichia 3000K CRI 90+ US	0137 3058
FL 1100 B-2 Nichia 4000K CRI 90+ US	0137 3068