

## FL 1500 F

---

---



Transform your interior with FL 1500 F Series. This lighting solution can revive your indoor settings, whether it is theatres, wellness areas or pool areas.

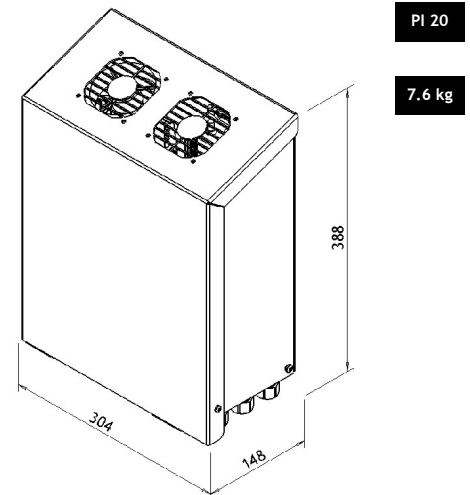
The FL 1500 F generators constitute the first real LED replacement for metal halide light generators, replacing the 150W MH. The projectors endure a drastically longer lamp life, meaning no regular lamp changes and 33% less power consumption.

FL 1500 F Series feature a 6-colour wheel or a twinkle wheel, facilitating different scenarios for your interior. The generators hold instant-on and require no cool down time. It includes warm white and neutral white light solutions.

Take your lighting solution to a superior level and let your interior be illuminated with our FL 1500 F Series.

## FL 1500 F

- Instant-on
- No cool-down time
- For indoor use / dry locations
- Warm white light and neutral white light
- DMX dual models include colour and twinkle wheels
- DMX models with colour wheel available
- DMX models with twinkle wheel available
- Black painted finish
- High colour rendering
- Dichroic glass colour filters available
- Dichroic CTC filters available
- Mounting kit for wall mounting available
- No more regular lamp changes



## FL 1500 F



Light port	Ø28 mm
Fibre type	PMMA or glass
Material	Aluminium, plastic and other
Total power consumption	130W (115W white light)
LED power consumption	100W
LED lifetime, expected	35.000h
Driver lifetime, expected	>100.000h (@TC=65°C)
Supply voltage (mains)	220-240V 50/60Hz
Thermal protection	Integrated auto
Cooling system	Axial fan x 2
Cooling system lifetime, expected (@40°C)	>40.000h
Noise level (fan)	30dB
Ambient temperature	-10°C to 45°C
Applied LED	Nichia
CCT (nominal)	3000K / 4000K (5000K on req.)
CRI <sub>s</sub> (Ra) typical value	92 (min. 90)

	Item no.
FL 1500 F Colour 3000K CRI 90+	0130 0158
FL 1500 F Colour 4000K CRI 90+	0130 0168
FL 1500 F Twinkle 3000K CRI 90+	0130 0258
FL 1500 F Twinkle 4000K CRI 90+	0130 0268
Accessories :	
Mounting kit FL 1500 C	0136 9001