

## Classic Downlight Ø50

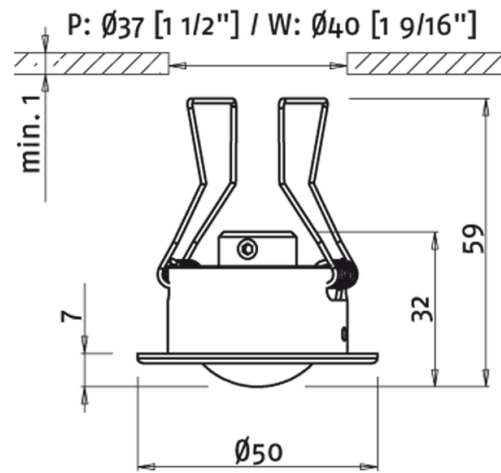
---

---



Precise, long-distance light from a flexible, highly functional downlight. For indoor use and wet locations. Roblon fibre optic technology. Recessed and fixed. Mounting Ø40 mm. Beam angle adjustable from 5° to 27°. For façade, room, display, surface, object and area lighting. For walls, ceilings, showcases, niches, corridors and many other applications.

## Classic Downlight Ø50



IP 33

40 g

## Classic Downlight Ø50

Optics	Ø26 mm lens
Beam angle	5° - 27°
Material	Aluminium
Colour	Grey
Surface treatment	Anodised
Size	Ø50 x 8 mm
Weight	40 g
Mounting	Recessed with spring
Mounting hole	Plaster: Ø37 mm / wood: Ø40 mm
Built-in height	19 mm
Min. tail size	Ø1 mm
Max. tail size	Ø6 mm
Protection rating	IP 44

	Item no.
Classic Downlight Ø50 Focus grey	0310 1226
Classic Downlight Ø50 Max Focus grey	0310 2000
Classic Downlight Ø32 Focus tilt grey	0310 1223
Accessories:	
Fitting Termination	9903 0001

# RobLight

RobLight A/S, Gl. Skagensvej 105 H, DK-9900 Frederikshavn, T: +45 9244 4888, E: info@rob-light.com, www.rob-light.com

RobLight accepts no responsibility for possible errors in catalogues, brochures and other printed material.  
RobLight reserves the right to alter or discontinue its products without notice. © 2019 RobLight A/S