

RobLight



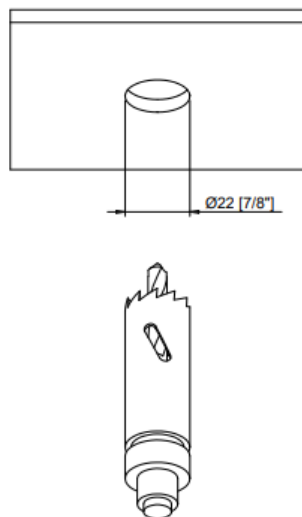
Pyxis 1n

User manual

RobLight

Install

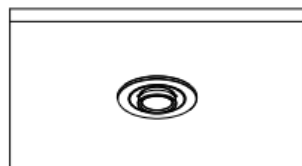
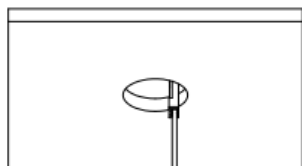
1. Drill



2. Install

①

②



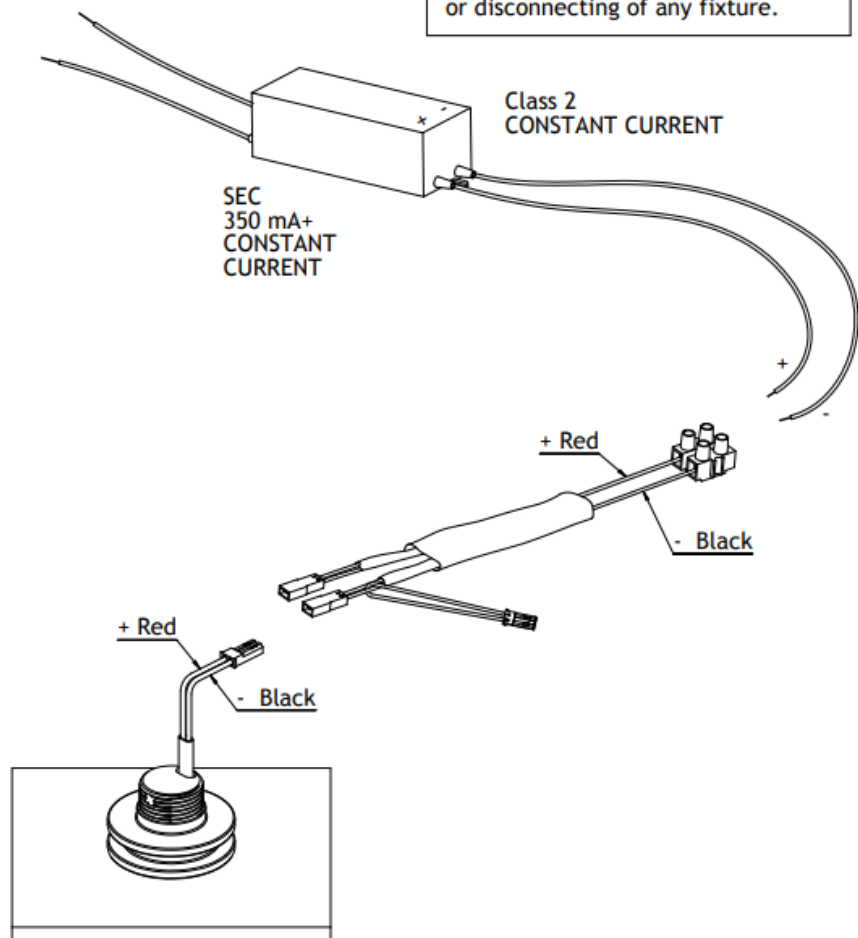
RobLight

3a. Connect driver with fixed wires

Driver connection is indicative.
Please follow national rules
for connecting Class II luminaire.

Connect to mains.

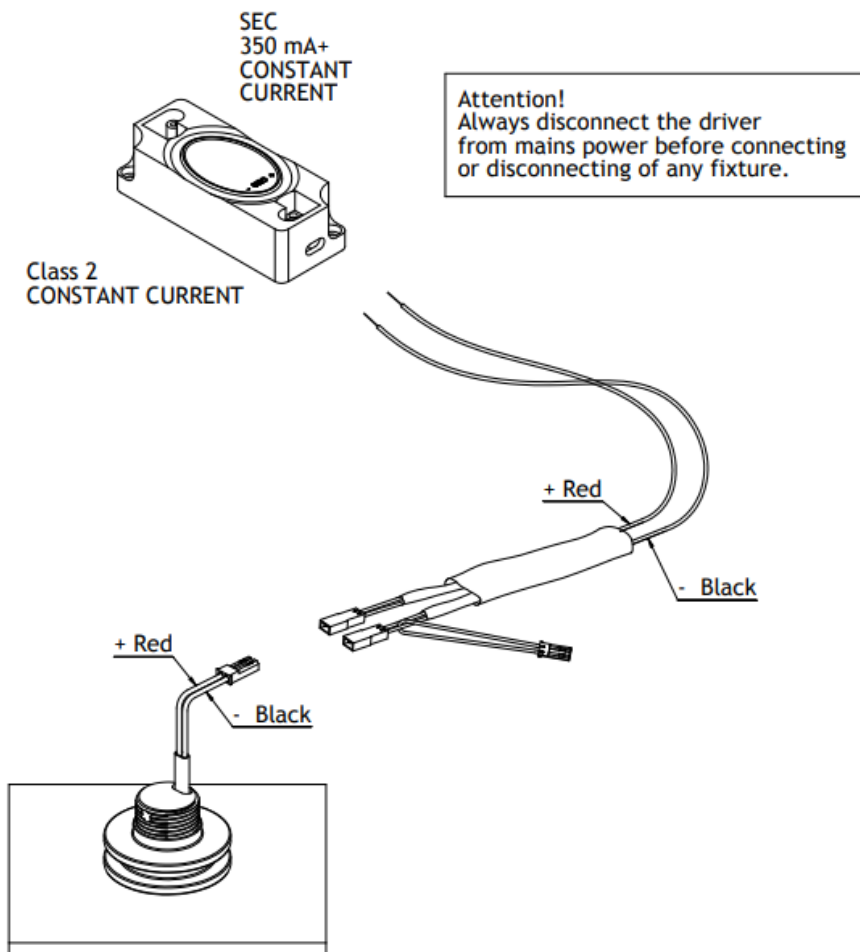
Attention!
Always disconnect the driver
from mains power before connecting
or disconnecting of any fixture.



RobLight

3b. Connect driver with screw terminals

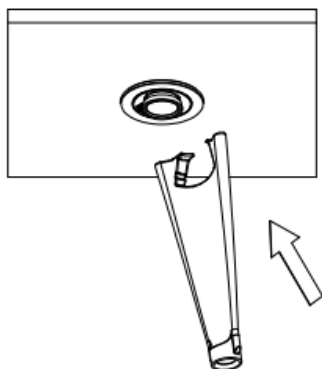
Driver connection is indicative.
Please follow national rules
for connecting Class II luminaire.



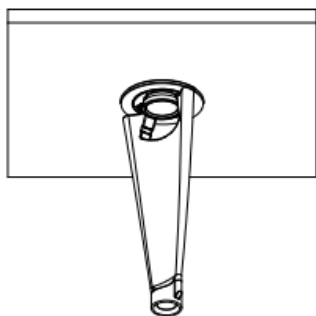
RobLight

4. Change reflector or PCB Remove reflector

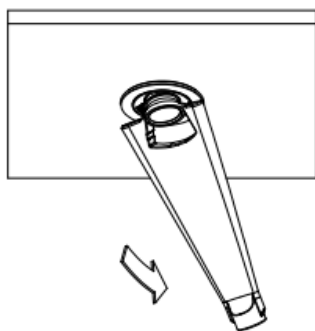
I



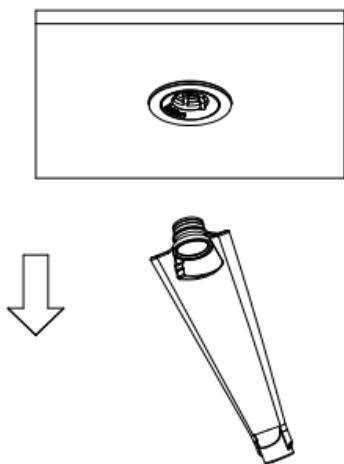
II



III



IV



RobLight

5. Remove reflector fixture

① Turn off mains power

②



③

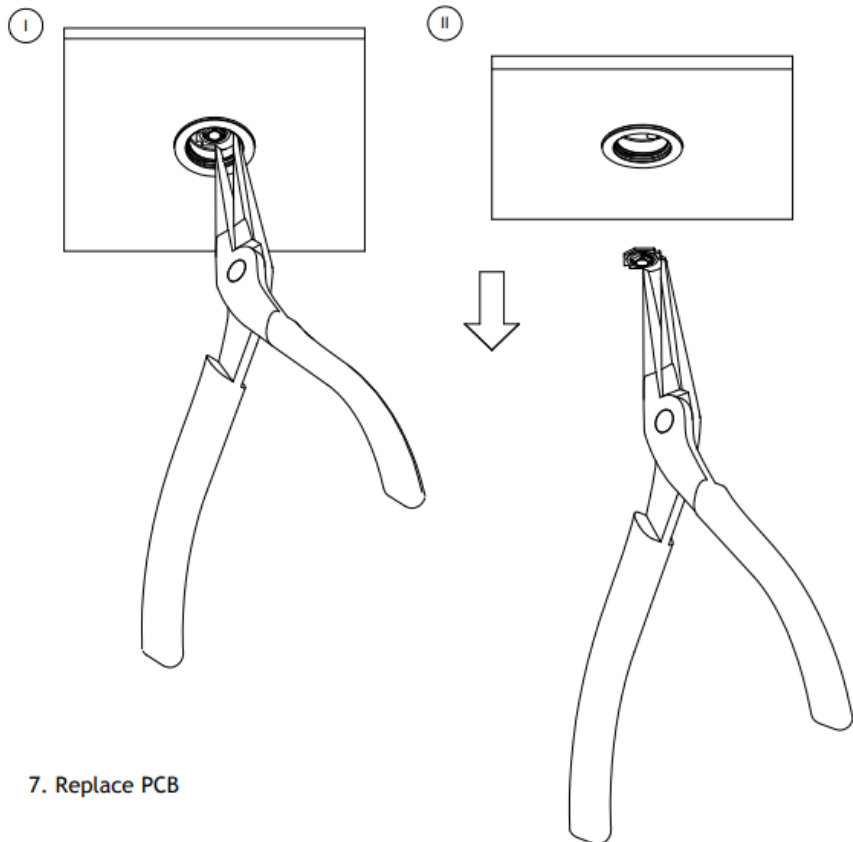


④



RobLight

8. Remove PCB



7. Replace PCB



8. Insert reflector fixture

①



②



8. Insert reflector

