

# RobLight



---

**Sirius Fountain**

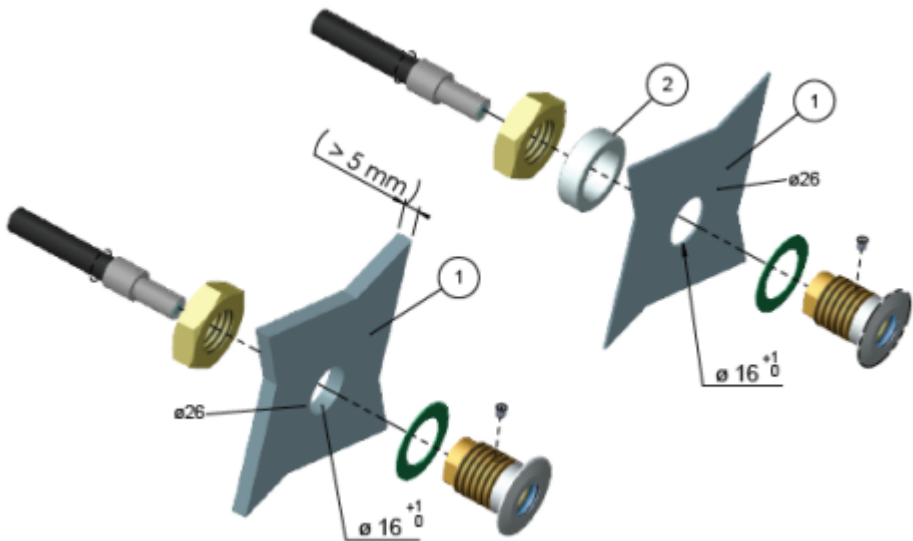
---

**User manual**

# RobLight

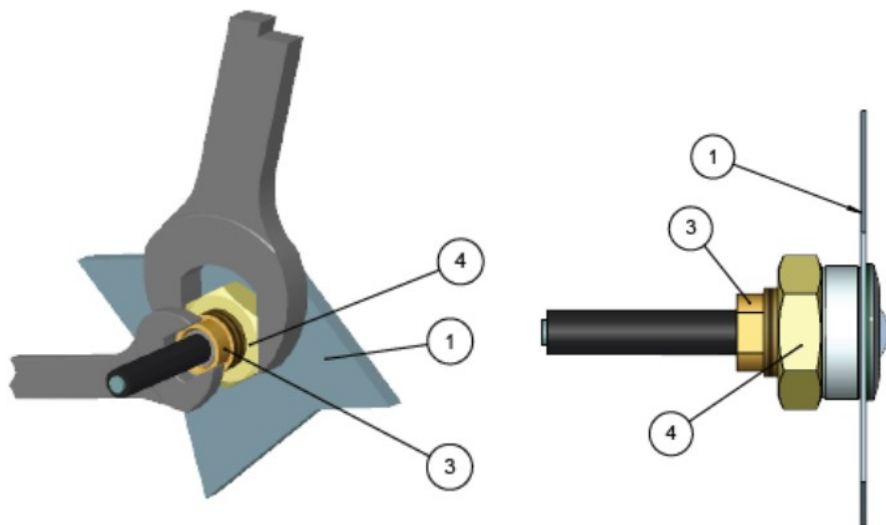
## Mounting instruction

---



Guide the fibre through the hole and fasten it in the fitting by means of the set screw. Around the hole an area of  $\varnothing 26$  mm must be completely plane. If this is not the case, joint with silicone.  
The space washer, pos 2, is only to be used when the wall, pos 1, is more than 5 mm.

# RobLight



Assemble the fitting, pos 3, and the nut, pos 4, lightly by hand.  
Hold the fitting by means of a 14 mm wrench while tightening the nut by means of a 24 mm wrench.

# RobLight

# RobLight

RobLight A/S, Gl. Skagensvej 105 H, DK-9900 Frederikshavn  
T: +45 9244 4888, E: [info@rob-light.com](mailto:info@rob-light.com)  
[www.rob-light.com](http://www.rob-light.com)

RobLight accepts no responsibility for possible errors in catalogues, brochures and other printed material.  
RobLight reserves the right to alter or discontinue its products without notice. © 2019 RobLight A/S