

# RobLight



---

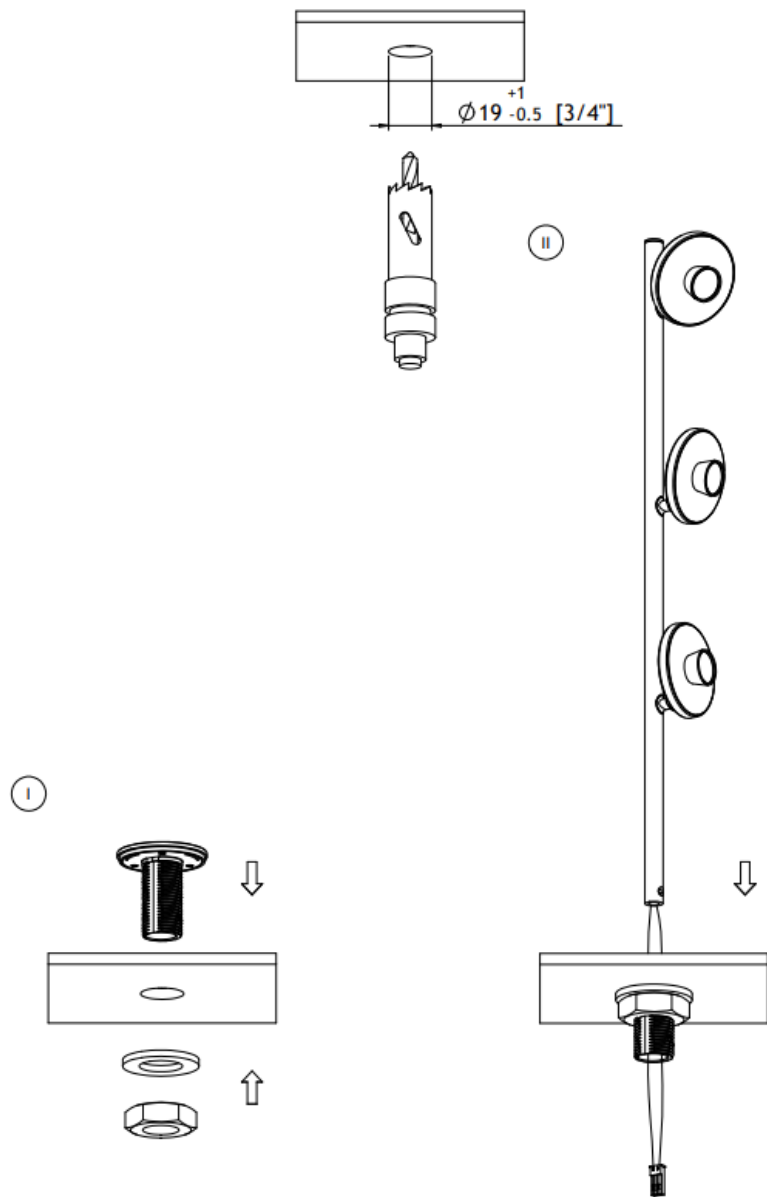
**Libra 1, 2 and 3**

---

User manual

# RobLight

Install with nut

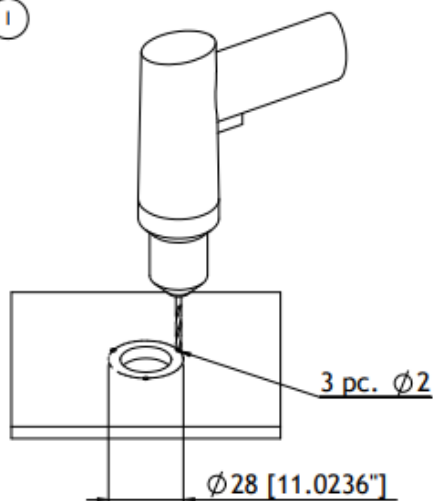


# RobLight

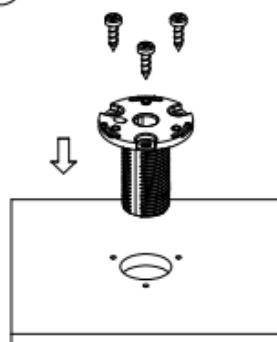
## Install with screw

---

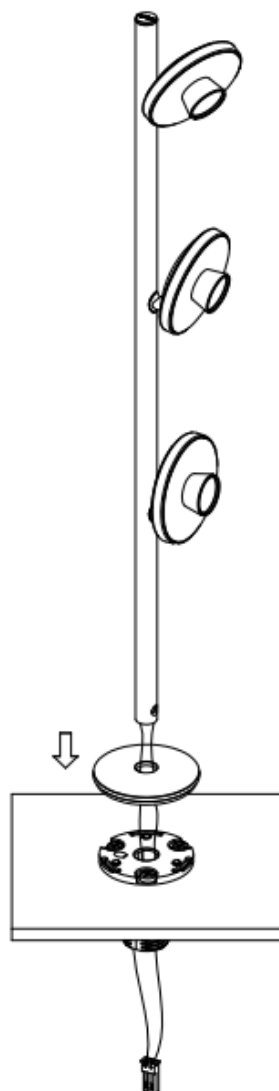
I



II



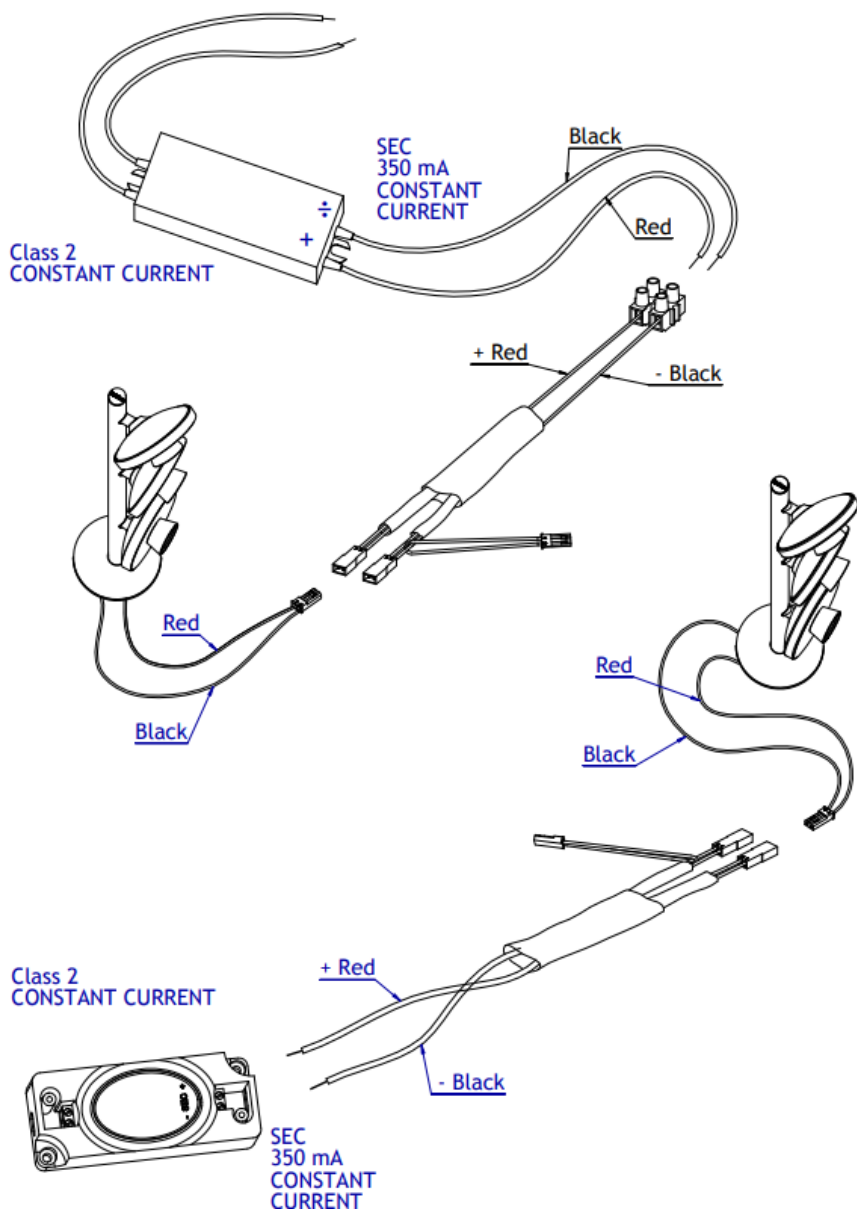
III



# RobLight

## Connect driver with fixed or screw terminals

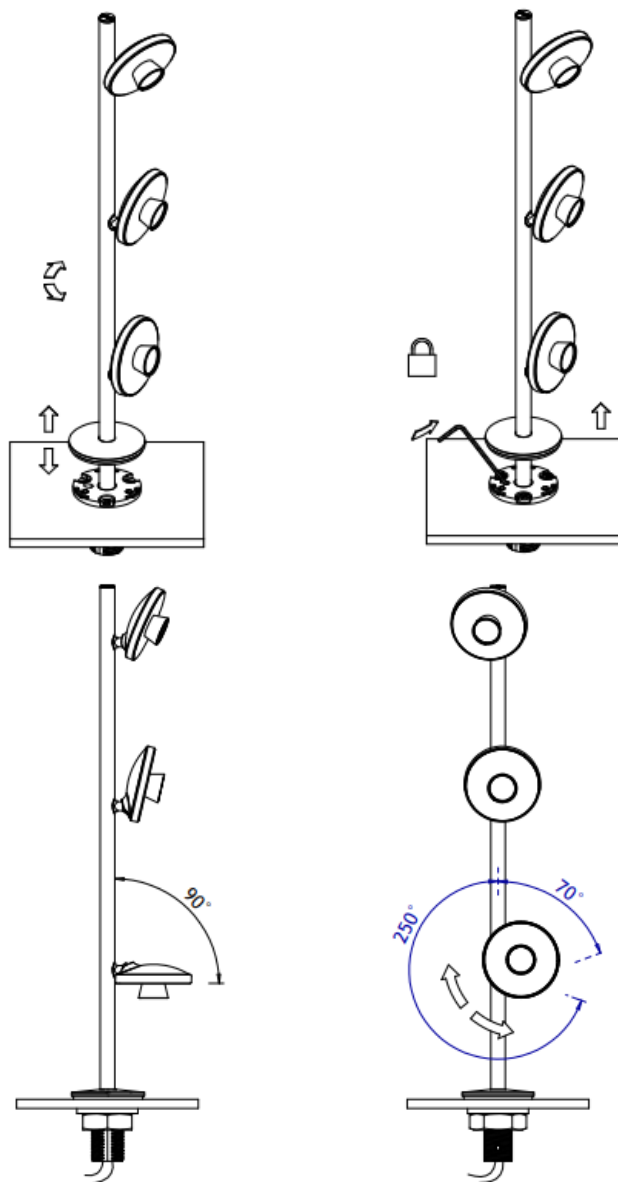
---



# RobLight

## Adjustment

---

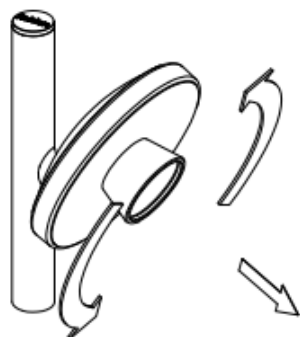


# RobLight

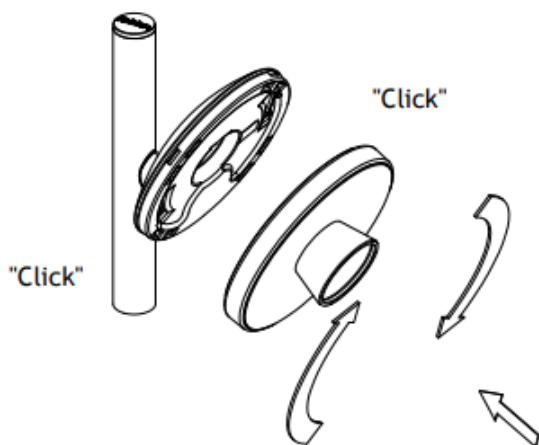
## Change reflector

---

①



②

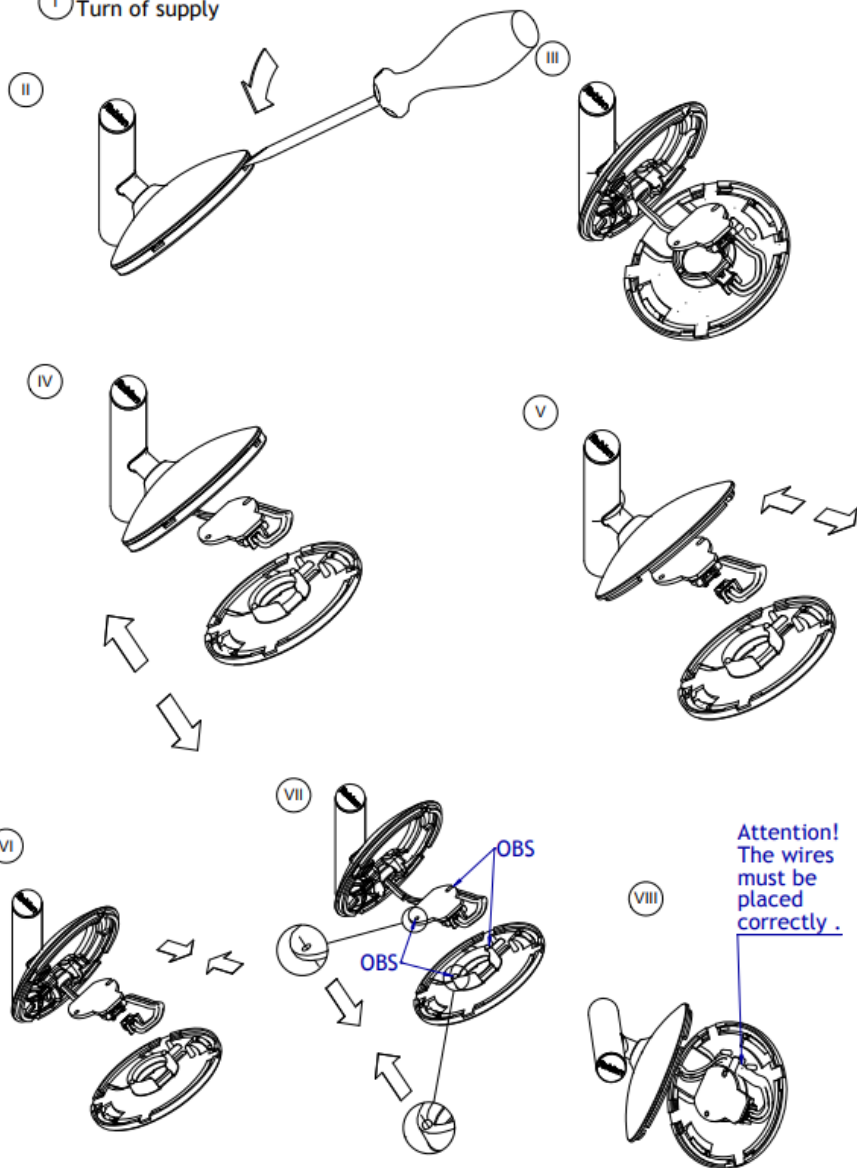


# RobLight

## Replace PCB

---

I Turn of supply



# RobLight

## Cleaning:

Only use a dry cloth to clean. Avoid exposing the LED to any liquid or solvent, as this may reduce LED lifetime.

## Operating:

There must be a sufficient air gap around the fixture and driver. Keep air and other vents free from obstruction at all times.

## Service:

PCB is replaceable on site. Instruction is included here and it is also delivered with spare part PCB. Because LED modules can be changed, a different CCT can always be ordered and installed if requirements change.

## Consistency:

Every luminaire has a unique Roblon identification number that registers the initial flux and colour bin. This ensures that a new LED module ordered as a spare part will perform consistently.

# RobLight

RobLight A/S, Gl. Skagensvej 105 H, DK-9900 Frederikshavn  
T: +45 9244 4888, E: [info@rob-light.com](mailto:info@rob-light.com)  
[www.rob-light.com](http://www.rob-light.com)