

# RobLight



---

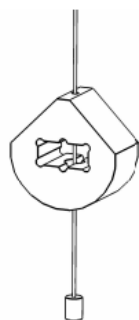
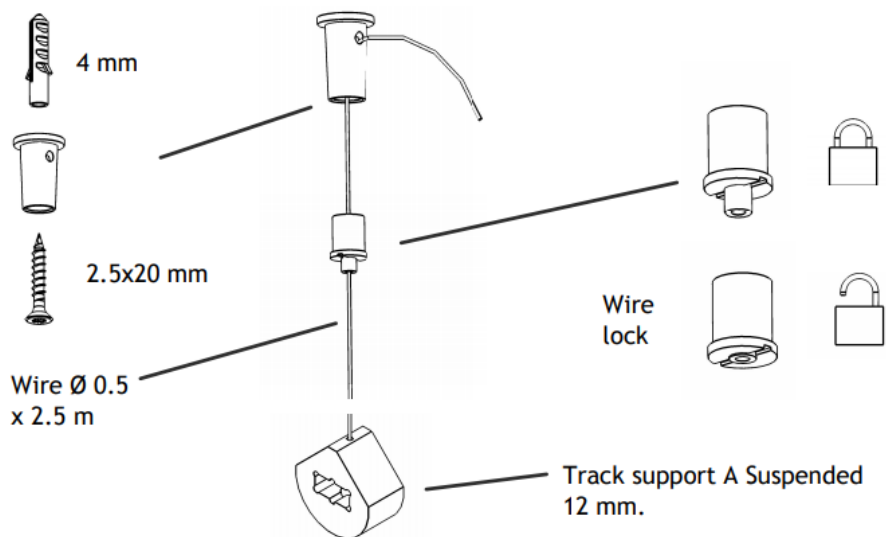
**Suspended set 1.5 m up to 3 m**

---

**User manual**  
Item nr: 11488009

# RobLight

## Mounting



Lead the wire up through the Track support from the bottom until it reaches the top and the square hole is not blocked.



Put the O-rings on the wire.

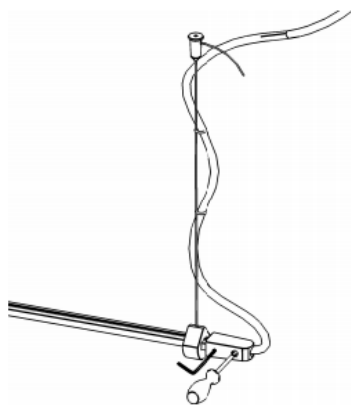
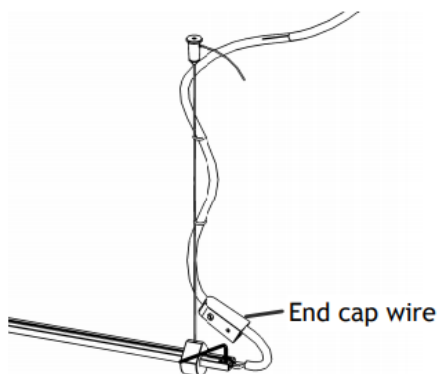
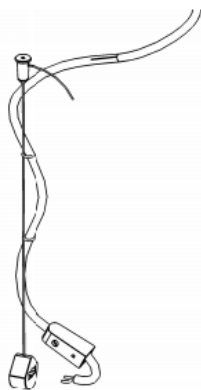


Set the wire lock on the wire and mount the electrical wire through the O-rings.

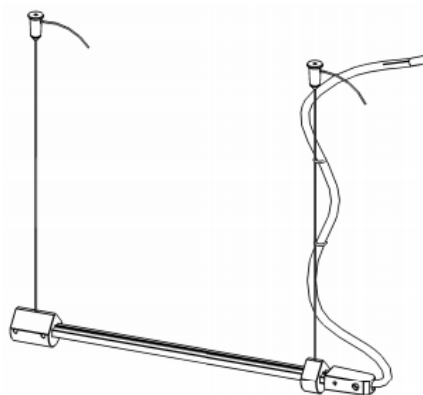


Mount the wire lock fitting on the ceiling and screw the wire lock into the fitting.

# RobLight

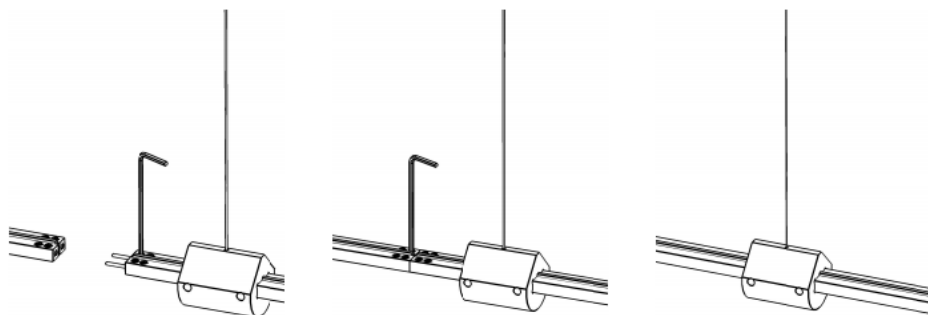


Mount electrical wire trough the End cap.  
Fastern the electrical wire in the Track and lock with set screws.  
Fastern the End cap with set screw.and the the relief of electrical wire with a screwdriver.

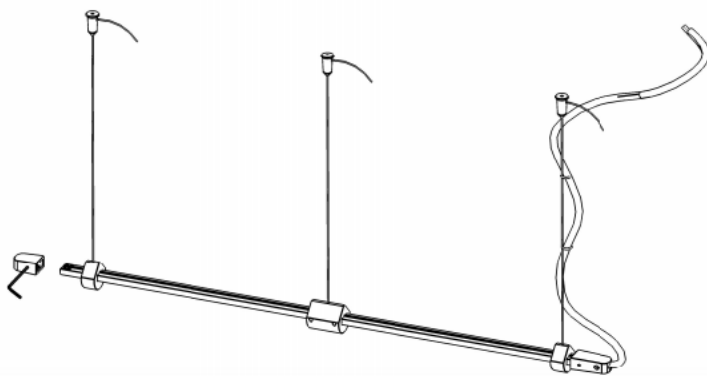


Put the Track A through the other Track A Suspended.

# RobLight



Connect the tracks using the Allenkey and puch the cab to hide the connection.



Mount End cap and fasten the set screw.

# RobLight

RobLight A/S, Gl. Skagensvej 105 H, DK-9900 Frederikshavn  
T: +45 9244 4888, E: [info@rob-light.com](mailto:info@rob-light.com)  
[www.rob-light.com](http://www.rob-light.com)

RobLight accepts no responsibility for possible errors in catalogues, brochures and other printed material.  
RobLight reserves the right to alter or discontinue its products without notice. © 2019 RobLight A/S