

## Embedment puck fixture

---

---



The embedment puck is developed to enable quick and easy mounting and fixing of the acrylic standoff in the right 90° angle in concrete, rubber, pebbles, rubbles and even in grass.

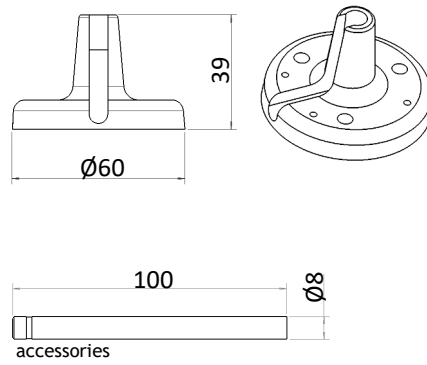
Mount the puck nice and easy and make everything ready for the fibre harness.

The embedment puck is without metal parts and therefore corrosion resistant.

## Embedment puck fixture

---

- For indoor and outdoor use
- for embedding in concrete floors
- 4 different fibre size Ø1-1.5-2-3 mm



## Embedment puck fixture

---

Size	$\text{Ø}60 \times 39$ mm
Fibre type	PMMA and glass
Material	ABS

	Item no.
Embedment puck fixture 39 mm, 25 pieces	2200 0321
Embedment puck fixture 39 mm	2200 0322
Embedment puck fixture low 24 mm, 25 pieces	2200 0323
Embedment puck fixture low 24 mm	2200 0324
Accessories :	
Standoff termination $\text{Ø}8 \times 100$ mm	9903 0043