

RobLight



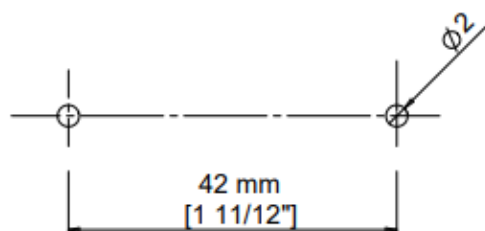
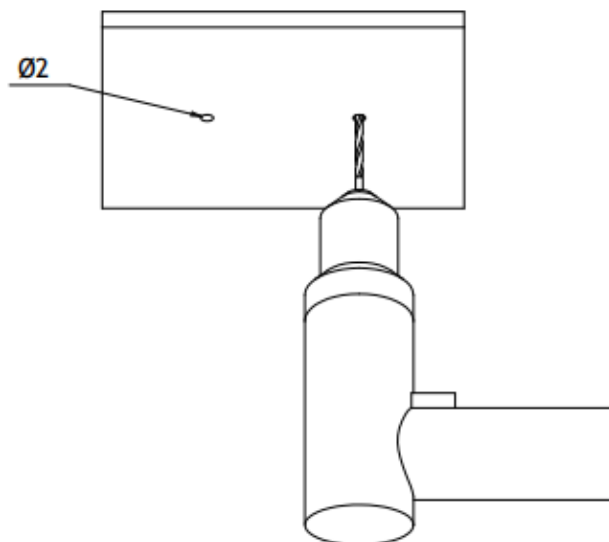
Pyxis 1s

User manual

RobLight

Install

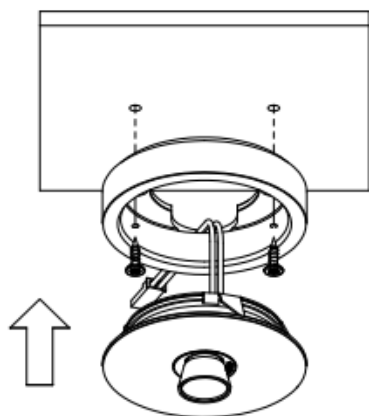
1. Drill



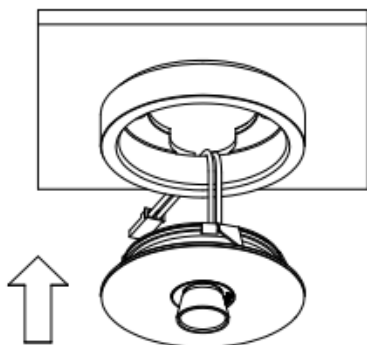
RobLight

2. Install

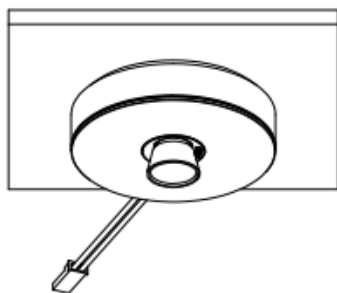
①



②



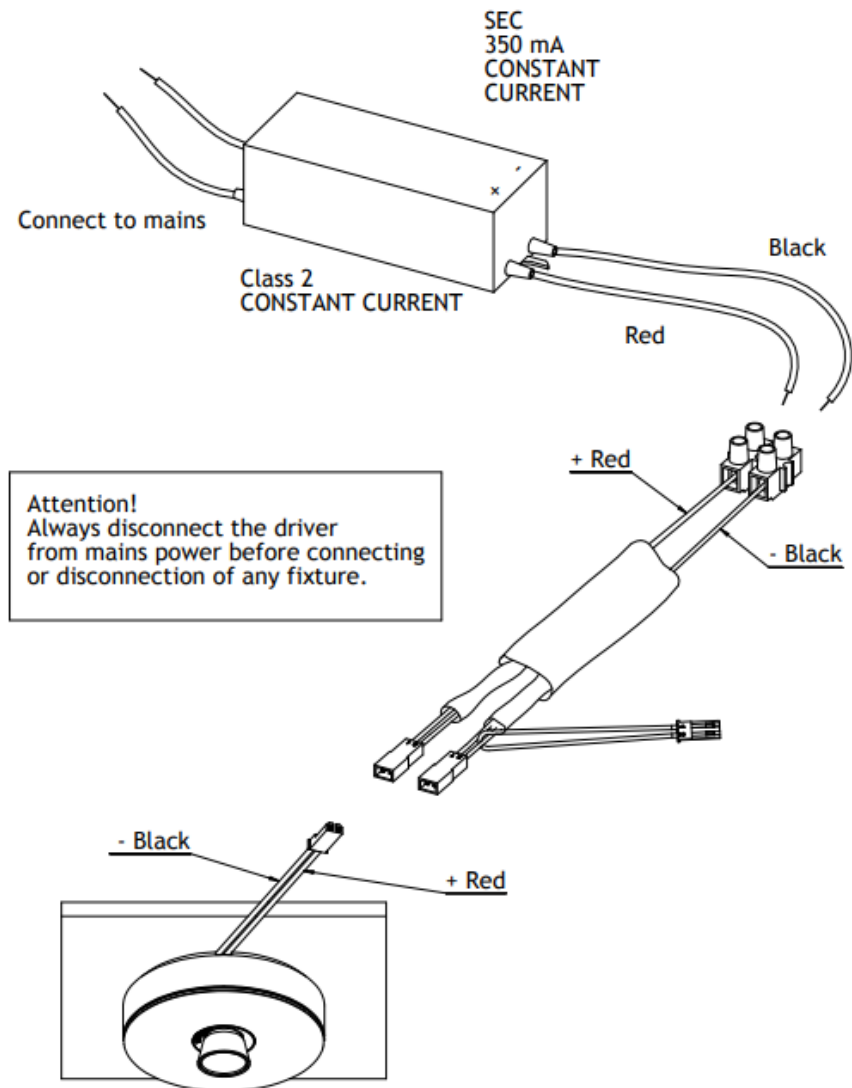
③



RobLight

3a. Connect driver with fixed wires

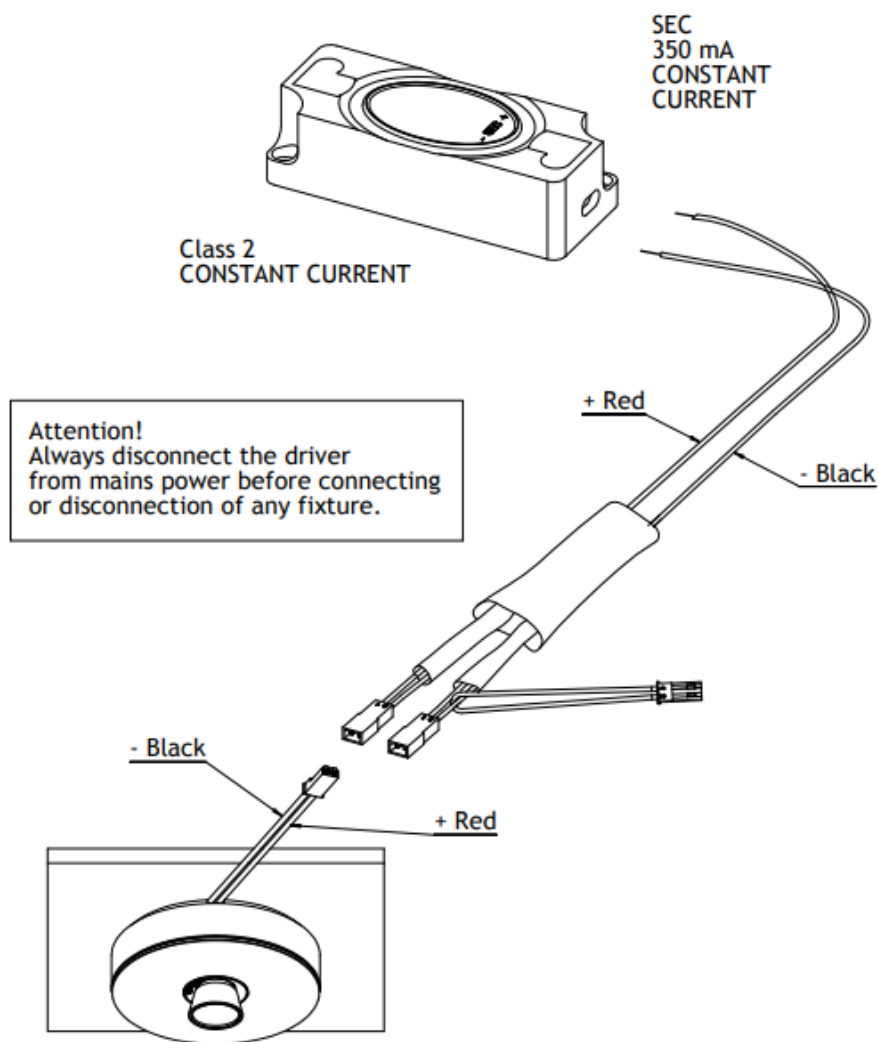
Driver connection is indicative.
Please follow national rules
for connecting a Class II luminaire.



RobLight

3b. Connect driver with screw terminals

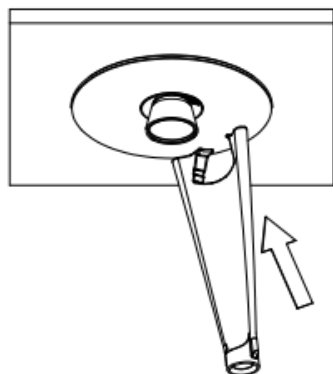
Driver connection is indicative.
Please follow national rules
for connecting a Class II luminaire.



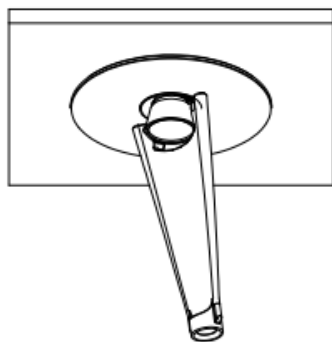
RobLight

4. Change reflector or PCB Remove reflector

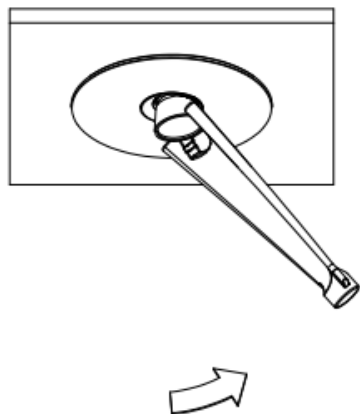
I



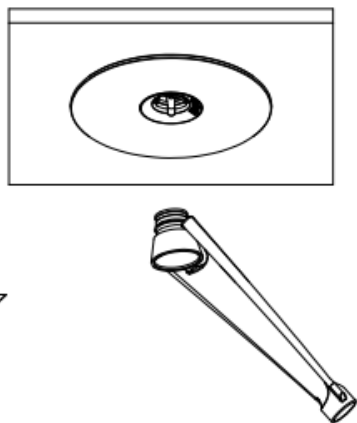
II



III



IV

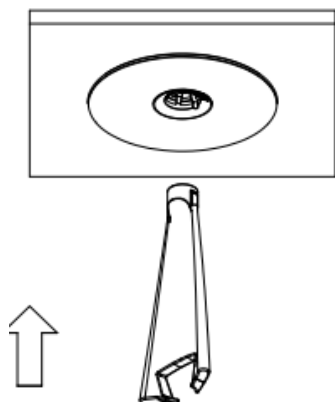


RobLight

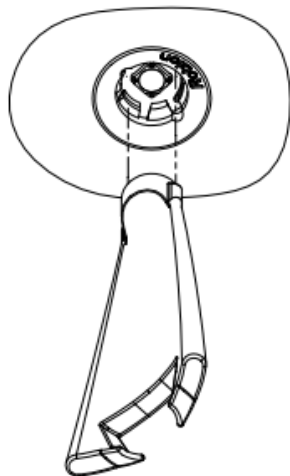
5. Remove reflector fixture.

I Turn off mains power.

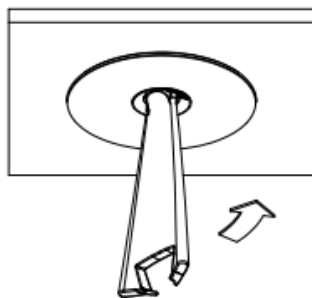
II



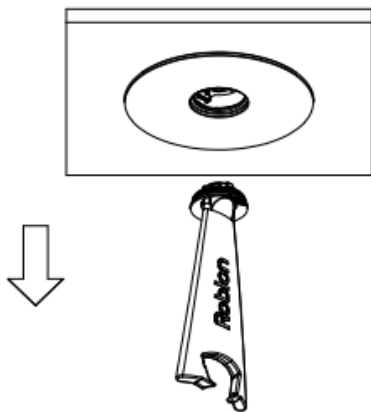
II a



III



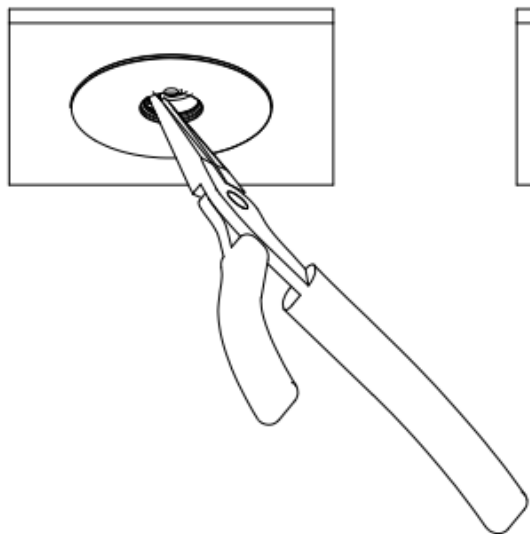
IV



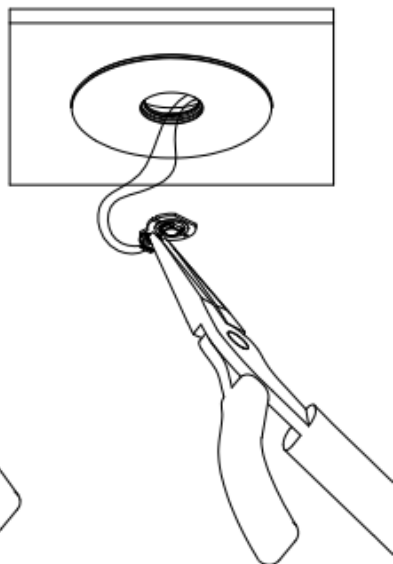
RobLight

6. Remove PCB

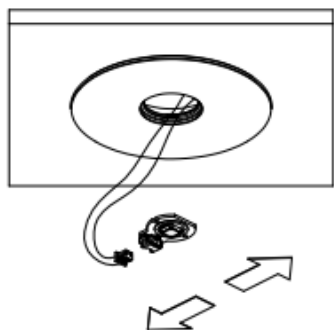
①



②

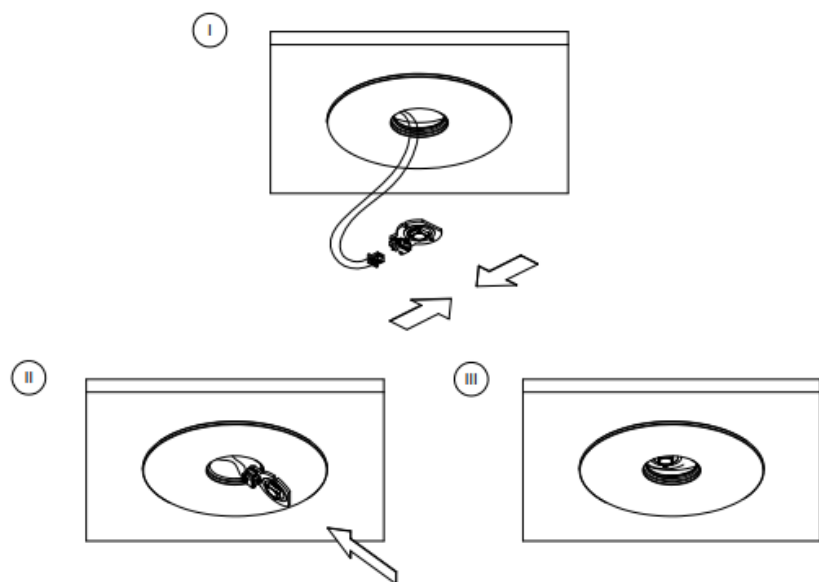


7. Disconnect PCB

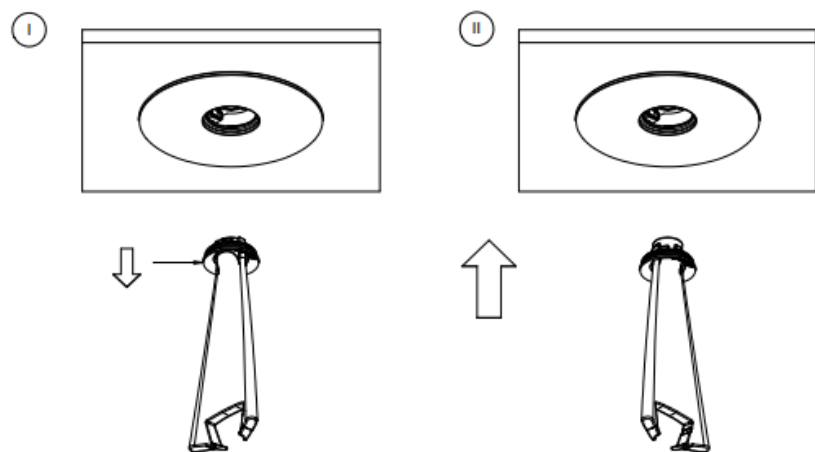


RobLight

8. Replace PCB



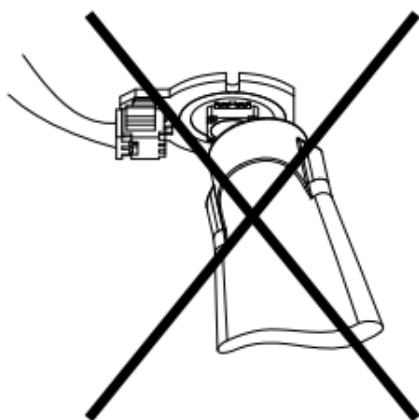
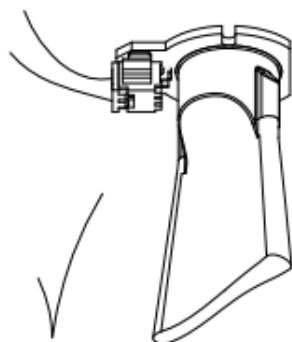
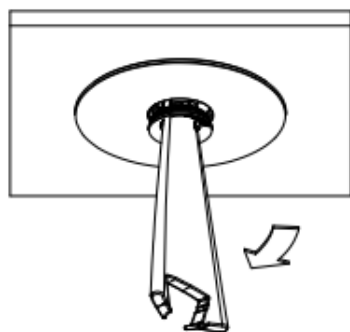
9. Place reflector fixture



RobLight

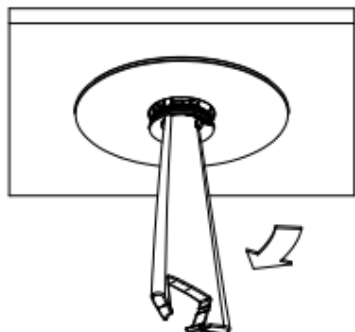
Place reflector fixture

III

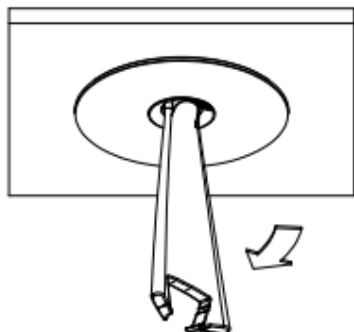


RobLight

IV

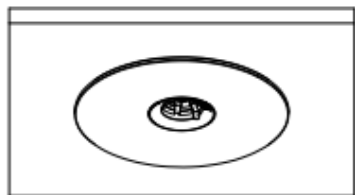


V

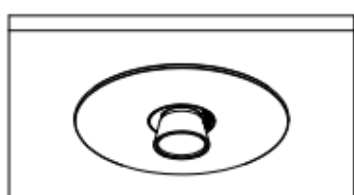


10. Insert Reflector

I



II



RobLight

RobLight

RobLight A/S, Gl. Skagensvej 105 H, DK-9900 Frederikshavn
T: +45 9244 4888, E: info@rob-light.com
www.rob-light.com

RobLight accepts no responsibility for possible errors in catalogues, brochures and other printed material.
RobLight reserves the right to alter or discontinue its products without notice. © 2019 RobLight A/S