

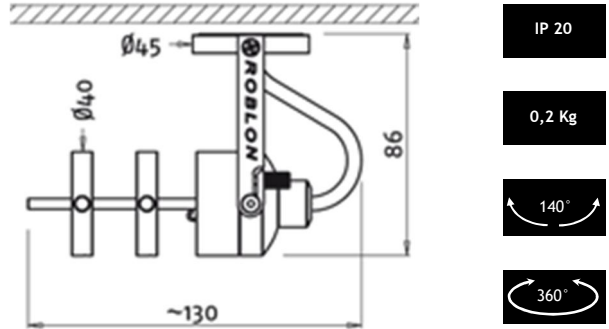
Gobo spot Fiber



Project images, text, patterns and logos precisely. Gobo thickness max. 2 mm. Outer gobo diameter $\varnothing 22.5$ mm. For optimum projection, image diameter $\varnothing 14$ mm (max. $\varnothing 17$ mm).

Gobo spot fiber

- For indoor use / dry location
- Fibre models also available
- Warm white light, natural white light
- Dimmerable
- Easy to integrate
- Wall mounted



Gobo spot fiber



Optics	Ø20 mm lens
Material	Aluminium
Colour	Black
Surface treatment	Anodised
Tilt	140°
Rotate	360°
Size	130 x 86 x 65 mm
Weight	200 g
Mounting	Surface mounted with screws
Min. tail size	Ø2 mm
Max. tail size	Ø6 mm
Protection rating	IP 20

	Item no.
Gobo Spot black fibre optic	0313 0950
Accessories :	
Framing/Gobo Adj. Focus Lens black	0313 0862
Framing/Gobo Shield black	0313 0865

RobLight

RobLight A/S, Tunvej 120, DK-9900 Frederikshavn, T: +45 9244 4888, E: info@rob-light.com, www.rob-light.com

RobLight accepts no responsibility for possible errors in catalogues, brochures and other printed material.
RobLight reserves the right to alter or discontinue its products without notice. © 2019 RobLight A/S