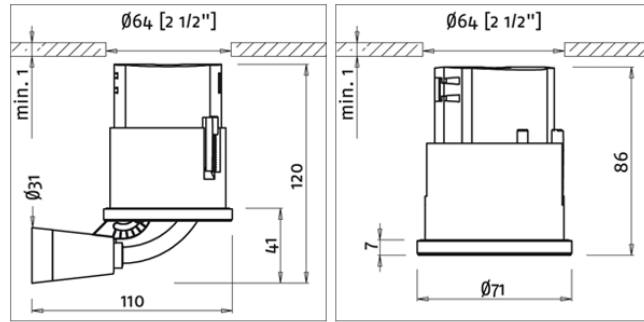


Bebop 2



Ingeniously designed to transform from a recessed to a raised fitting in a matter of seconds. When completely recessed, blends completely in with any given surface. Any time you want, and without using tools, pull the optical head out and position it with millimetre-precision. Available with adjustable focused, medium or wide beams and a glare-free lens. Ideal for galleries, museums and retail outlets where displays, designs and moods change. Bebop. It's more than multi-functional. It's multi-form.



IP 44
UG

Sirius

Optics	$\varnothing 30$ mm lens
Material	Stainless steel , plastic and other
Colour	Chrome
Surface treatment	Pickled
Size	$\varnothing 71$ x 86 mm
Mounting hole	$\varnothing 64$ mm
Built-in height	79 mm
Min. tail size	$\varnothing 1$ mm
Max. tail size	$\varnothing 6$ mm
Protection rating	IP 20

	Item no.
Bebop 2 medium chrome	0334 3317
Bebop 2 medium chrome white	0334 3330
Accessories:	
Fitting Termination	9903 0001