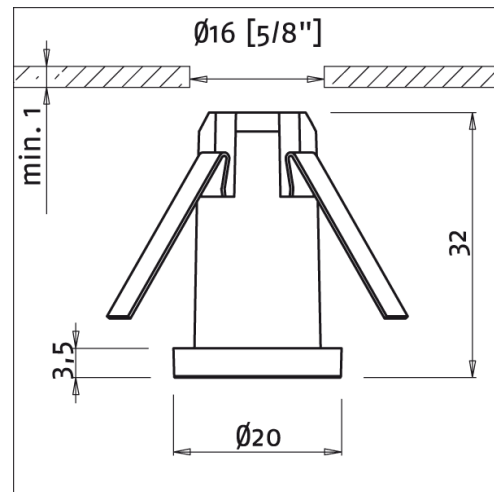


RobLight Note 2



Precise, powerful light from a tiny, simple downlight. For indoor use. Roblon fibre optic technology. High light efficiency. Recessed and fixed. Low-glare. Mounting \varnothing 16 mm. Beam angle 54° . For display, surface, object, area and accent lighting. For showcases, niches, shelves, ceilings and many other applications.



IP 20

100 g

RobLight Note 2

Beam angle	54°
Material	UV-stable thermoplastics material
Colour	Black
Size	Ø20 x 3.5 mm
Weight	0.1 kg
Mounting	Recessed with spring
Mounting hole	Ø16 mm
Built-in height	28.5 mm
Min. tail size	Ø2 mm
Max. tail size	Ø6 mm
Protection rating	IP 20

	Item no.
RobLight Note 2 Wide black	0336 3010
Roblight Note 2 Medium black	0336 3330
RobLight Note 2 Diffuse black	0336 3210
Accessories:	
Fitting Termination	9903 0001