

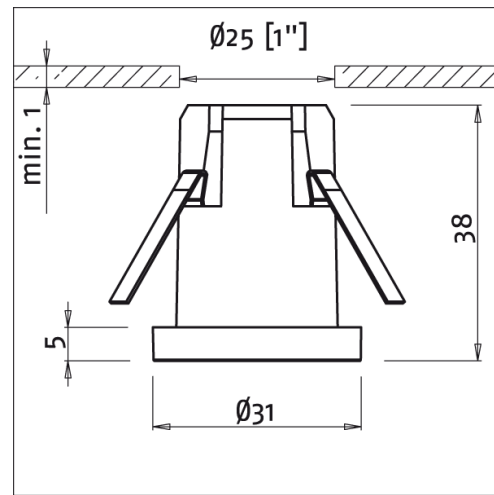
## RobLight Note 3

---

---



Precise, powerful light from a tiny, simple downlight. For indoor use. Roblon fibre optic technology. High light efficiency. Recessed and fixed. Low-glare. Mounting Ø25 mm. Beam angle 54°. For display, surface, object, area and accent lighting. For showcases, niches, shelves, ceilings and many other applications.



IP 20

100 g

RobLight Note 3

Beam angle	54° / Ø8: 30° / Ø10: 32°
Material	UV-stable thermoplastics material
Colour	Black
Size	Ø31 x 5 mm
Weight	0.1 kg
Mounting	Recessed with spring
Mounting hole	Ø25 mm
Built-in height	33 mm
Min. tail size	Ø8 mm
Max. tail size	Ø10 mm
Protection rating	IP 20

	Item no.
RobLight Note 3 Wide black	0336 7010
Roblight Note 3 Medium black	0336 7310
Accessories:	
Fitting Termination	9903 0001