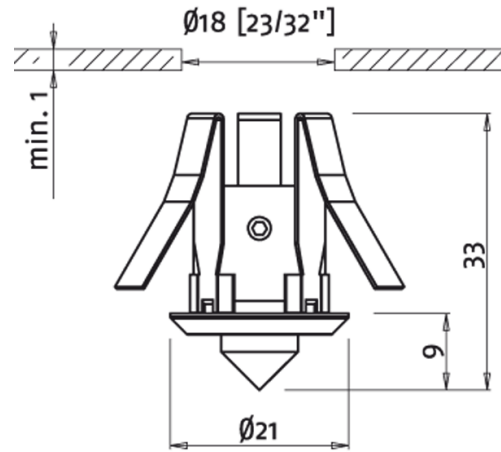


Mini Downlight Diffuse



Soft light with a starry effect from a pretty downlight. For indoor use including damp locations. Roblon fibre optic technology. Recessed and fixed. Mounting $\varnothing 18$ mm. Beam angle adjustable from 22° to 36° . For room, display, surface, object, accent and decorative lighting. For showcases, niches, shelves, ceilings and many other applications.

Mini Downlight Diffuse



IP 44

14 g

Mini Downlight Diffuse

Optics	Acrylic cone
Beam angle	22° - 36°
Material	Aluminium
Colour	Black
Surface treatment	Anodised
Size	$\varnothing 21 \times 9$ mm
Weight	14 g
Mounting	Recessed with spring
Mounting hole	$\varnothing 18$ mm
Built-in height	23.5 mm
Min. tail size	$\varnothing 1$ mm
Max. tail size	$\varnothing 6$ mm
Protection rating	IP 44

	Item no.
Mini Downlight Diffuse black	0310 1232
Mini Downlight Diffuse white	0310 1242
Accessories:	
Fitting Termination	9903 0001