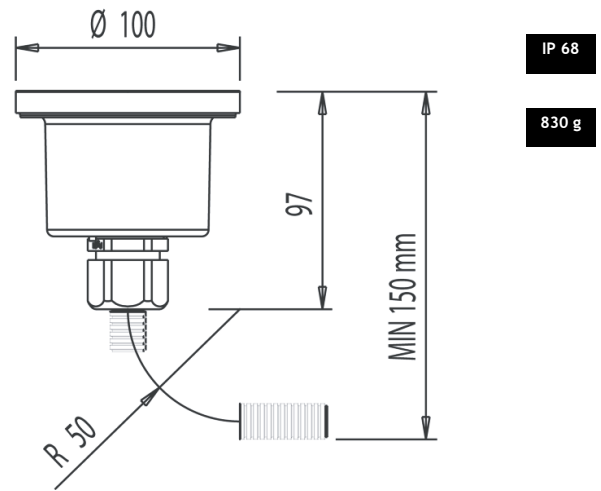


Compass Focus



Compass Focus is an uplight in corrosion- and acid-resistant steel with fixed lens for adjustment of the light beam. Compass is a sturdy recessed fitting in timeless, elegant design. The fitting is suitable for lighting where the light is not to be projected over long distances and where a small, significant light beam is required, for instance up pillars, walls, pylon signs and monuments. Compass is available with plane or chamfered flange. The fitting is supplied with a white plastic insert which is available as an option in several colours.



Compass Focus

Optics	Ø26 mm lens
Beam angle	Ø3: 7-18°/Ø4.5: 10-18°/Ø6: 15-20°
Material	Stainless steel AISI 316
Colour	White
Surface treatment	Pickled
Rotate	360°
Size	Ø100 mm
Weight	820 g
Mounting	Embedded / screw mounted
Mounting hole	Ø100 mm
Built-in height	98 mm
Min. tail size	Ø3 mm
Max. tail size	Ø6 mm
Protection rating	IP 68 down to 1 m
Max. dynamic load	20 J
Max. static load	2,500 kg

	Item no.
Compass Focus clear burnished	0313 0206
Compass Focus max clear burnished	0313 0216